



Spare parts list
MIG/MAG
Welding Torches
MB EVO
air & liquid cooled







MIG/MAG Welding Torches

MB EVO

air & liquid cooled

The MB EVO torch series stands for a completely new handling concept that goes down new roads with regard to form and function. The welding torch forms a strong unit together with the welder's hand. The unique ergonomics as interplay between handle, trigger position, trigger design and ball joint construction guarantees a good feeling for welding in all working positions as well as the best results.

Advantages MB EVO air cooled

- Genuine two-component handle – robust and ergonomical
- Optimum trigger position and tapered handle design – for precise and safe handling
- Special internal geometry with air cooled torches – for “cool” handles and maximum mechanical strength
- Proven “MB” wearing part concept – for a long service life
- Solid, size-optimised central connector

Advantages MB EVO liquid cooled

- Genuine two-component handle – robust and ergonomical
- Proven “MB” wearing part concept and media hoses
- Optimum trigger position, tapered handle design and sophisticated ball joint construction – for best handling in all welding positions
- Easy to repair construction down to the last detail – best space conditions for the simplest maintenance measures
- Solid, size-optimised central connector with protected hose guide

Technical data (EN 60 974-7)

MIG/MAG Welding Torches “MB EVO” (air cooled)

Type	Rating (A)		Duty cycle (%)	Wire size (mm)
	CO ₂	Mixed Gases M21		
MB EVO 15	180 / 150	180 / 150	35 / 60	0.6-1.0
MB EVO 24	250	220	60	0.8-1.2
MB EVO 25	230	200	60	0.8-1.2
MB EVO 26	270	240	60	0.8-1.2
MB EVO 36	320	290	60	0.8-1.2

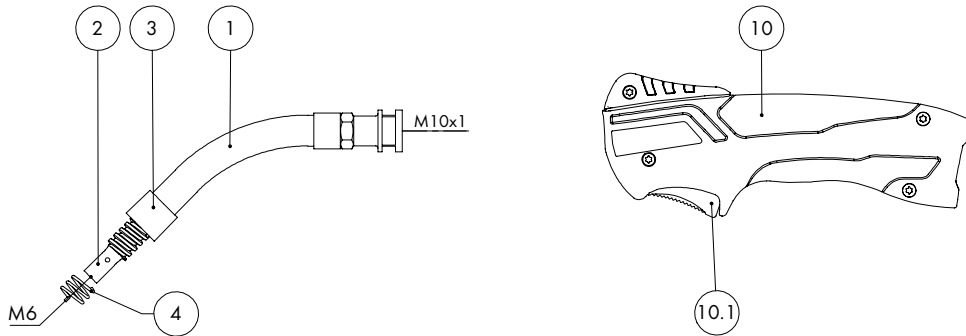
Subject to technical modifications.

MIG/MAG Welding Torches “MB EVO” (liquid cooled)

Type	Rating (A)		Duty cycle (%)	Wire size (mm)
	CO ₂	Mixed Gases M21		
MB EVO 240 D	300	270	100	0.8-1.2
MB EVO 401	450	400	100	0.8-1.2
MB EVO 401 D	400	350	100	0.8-1.2
MB EVO 501	550	500	100	1.0-1.6
MB EVO 501 D	500	450	100	1.0-1.6

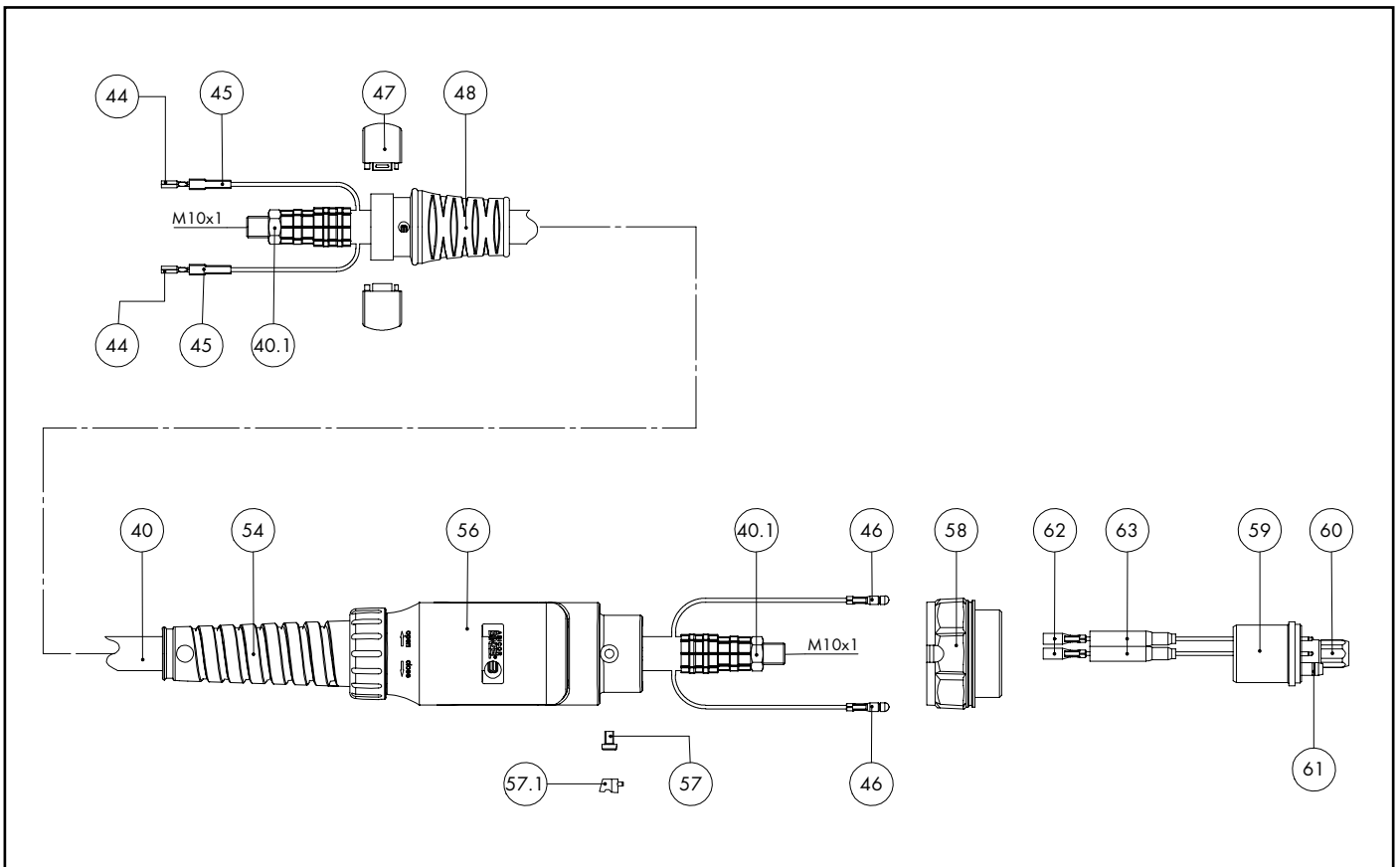
Subject to technical modifications.

MIG/MAG Welding Torches MB EVO 15



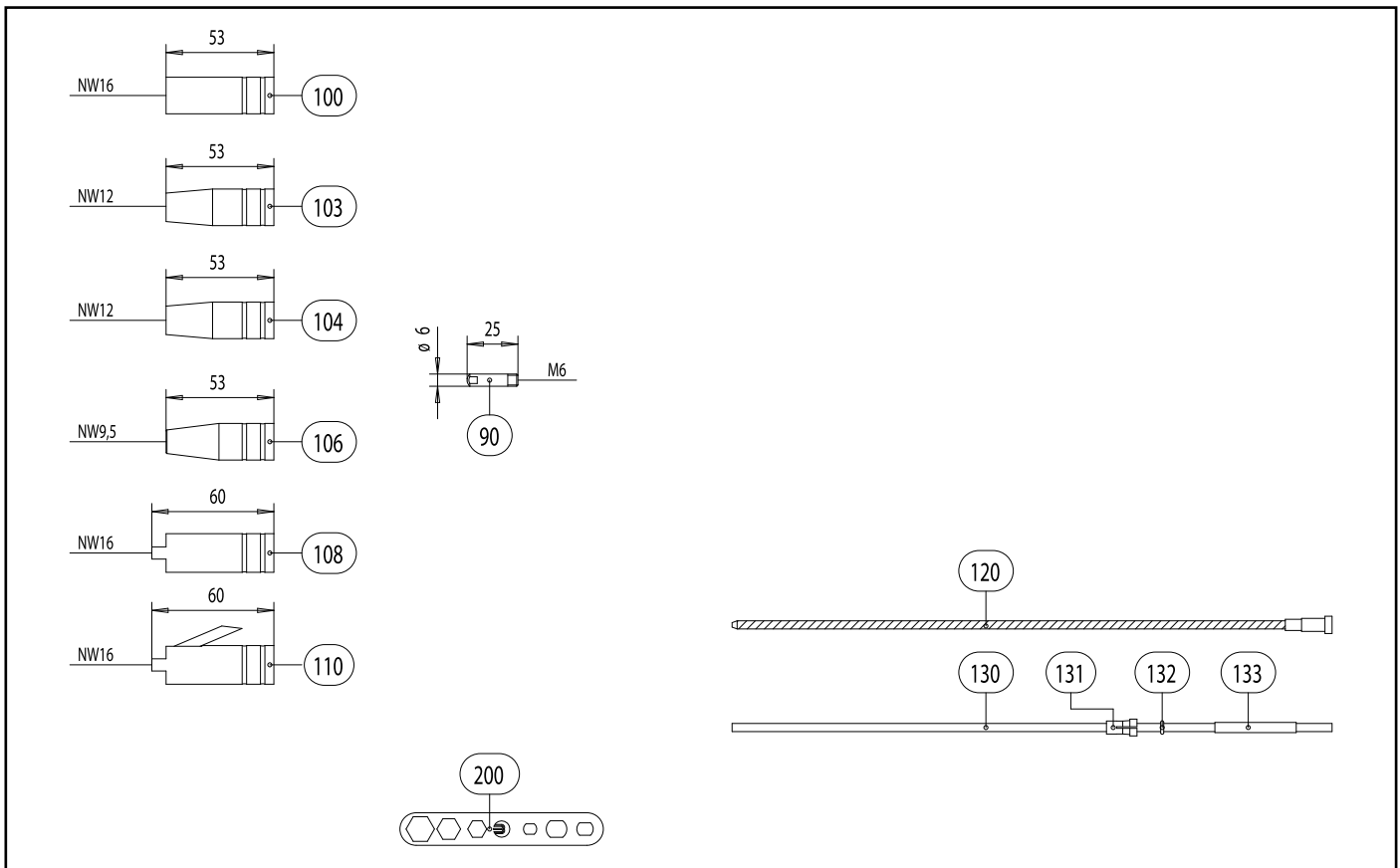
Pos.	Description	Details	Part-No.	Product group
Torch				
	MB EVO 15; central adaptor KZ-2; 3.00 m		002.0709.1	1063
	MB EVO 15; central adaptor KZ-2; 4.00 m		002.0710.1	1063
	MB EVO 15; central adaptor KZ-2; 5.00 m		002.0711.1	1063
Swan neck				
1	Swan neck MB EVO PRO 15; 50° bent		002.0715.1	1007
2	Gas nozzle holder		002.0078	1095
3	Head insulator	10 Pcs.	002.0050	1095
4	Nozzle spring	100 Pcs.	002.0058	1095
Handle MB EVO 2K				
10	Handle MB EVO 2K; 2-pole ac complete		180.0178.1	1095
10.1	Trigger ergonomic 2-pole; MB EVO PRO / MB EVO		185.0142.1	9010
Cable assembly				
40	Bikox® power cable, R10 for 3.00 m		160.1291.1	1511
40	Bikox® power cable, R10 for 4.00 m		160.1292.1	1511
40	Bikox® power cable, R10 for 5.00 m		160.1293.1	1511
40.1	Hexagon nut M10x1	10 Pcs.	001.0009	9010
44	Trigger wire connector	20 Pcs.	175.0022	9010
45	Insulating sleeve	20 Pcs.	400.0119	1095
46	Male connector	20 Pcs.	175.0004	9010
47	Half ring D=37 black; MB EVO	2 Pcs.	400.D451.2	1595
48	Cable support short ND 17-22		400.D574.1	1595
54	Cable support ND 19		400.1010	1095
56	Connection housing ac complete; MB EVO PRO / MB EVO		501.2673.1	9010
57	Pan head screw M4x6	20 Pcs.	000.0552	9010
57.1	Screw cap 1	20 Pcs.	500.0251	9010

MIG/MAG Welding Torches MB EVO 15



Pos.	Description	Details	Part-No.	Product group
58	Adaptor nut M33x2		500.0213	9010
59	Central adaptor KZ-2		501.0003	1095
60	Coupling nut M10x1	10 Pcs.	501.D536	1595
61	O-Ring 4x1	20 Pcs.	165.0002	9010
62	Trigger wire connector; female	20 Pcs.	175.0003	9010
63	Insulating sleeve for central adapter	20 Pcs.	501.2609.20	1395
Wear parts				
90	Contact tip M6 E-Cu; Ø 0.6 (6x25)	10 Pcs.	140.0008	1030
90	Contact tip M6 E-Cu; Ø 0.8 (6x25)	10 Pcs.	140.0059	1030
90	Contact tip M6 E-Cu; Ø 1.0 (6x25)	10 Pcs.	140.0253	1030
90	Contact tip M6 CuCrZr; Ø 0.6 (6x25)	10 Pcs.	140.0855	1031
90	Contact tip M6 CuCrZr; Ø 0.8 (6x25)	10 Pcs.	140.0062	1031
90	Contact tip M6 CuCrZr; Ø 1.0 (6x25)	10 Pcs.	140.0256	1031
90	Contact tip M6 E-Cu; Ø 0.8 for alu wire (6x25)	10 Pcs.	141.0002	1030
90	Contact tip M6 E-Cu; Ø 1.0 for alu wire (6x25)	10 Pcs.	141.0007	1030
90	Contact tip M6 CuCrZr silver-plated; Ø 0.8 (6x25)	10 Pcs.	147.0062	1031
90	Contact tip M6 CuCrZr silver-plated; Ø 1.0 (6x25)	10 Pcs.	147.0256	1031
100	Gas nozzle; cylindrical; ND Ø 16.0	10 Pcs.	145.0041	1036
103	Gas nozzle; conical; ND Ø 12.0	10 Pcs.	145.0075	1036
104	Gas nozzle; conical; with extended insulation; ND Ø 12.0	10 Pcs.	145.0107	1036
106	Gas nozzle; tapered; ND Ø 9.5	10 Pcs.	145.0123	1036
108	Spot weld gas nozzle; ND Ø 16.0	10 Pcs.	145.0168	1036
110	Spot weld gas nozzle for pin-welding; ND Ø 16.0	10 Pcs.	145.0186	1036
120	Guide spiral liner insulated; 1.5/4.0; blue; for wire Ø 0.6–0.8; for 3.00 m		124.0011	1034
120	Guide spiral liner insulated; 1.5/4.0; blue; for wire Ø 0.6–0.8; for 4.00 m		124.0012	1034
120	Guide spiral liner insulated; 1.5/4.0; blue; for wire Ø 0.6–0.8; for 5.00 m		124.0015	1034

MIG/MAG Welding Torches MB EVO 15



Pos. Description

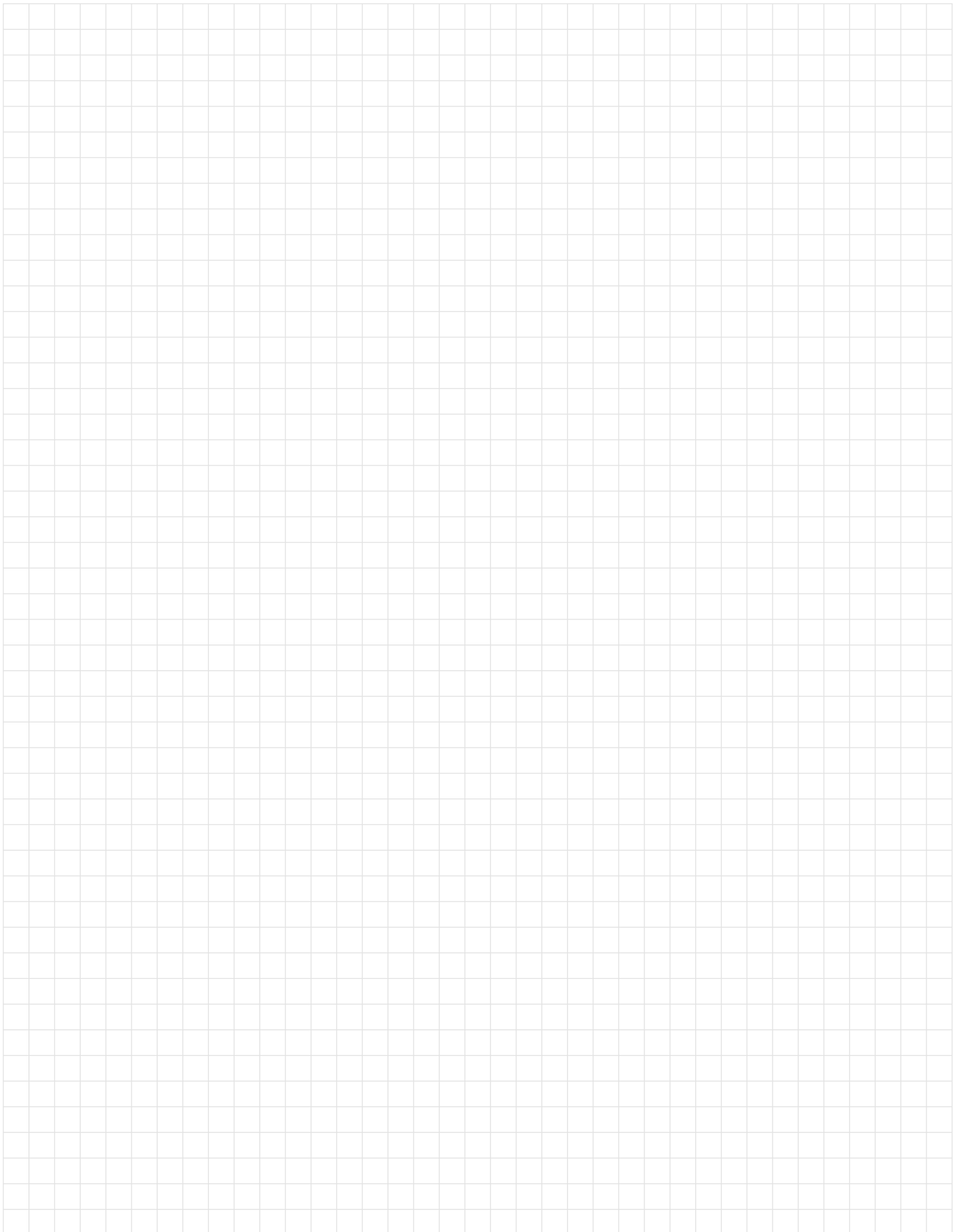
Details

Part-No.

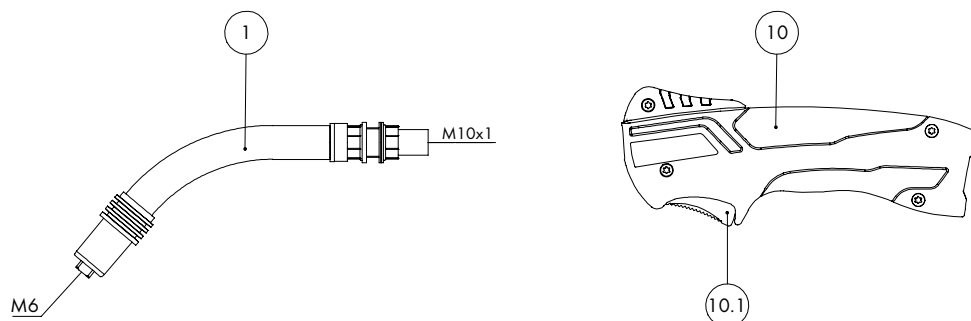
Product group

Pos.	Description	Details	Part-No.	Product group
120	Guide spiral liner insulated; 2.0/4.5; red; for wire Ø 1.0-1.2; for 3.00 m		124.0026	1034
120	Guide spiral liner insulated; 2.0/4.5; red; for wire Ø 1.0-1.2; for 4.00 m		124.0031	1034
120	Guide spiral liner insulated; 2.0/4.5; red; for wire Ø 1.0-1.2; for 5.00 m		124.0035	1034
130	PTFE core liner 1.5/4.0; blue; wire electrode Ø 0.8-1.0; for 3.00 m		126.0005	1034
130	PTFE core liner 1.5/4.0; blue; wire electrode Ø 0.8-1.0; for 4.00 m		126.0008	1034
130	PTFE core liner 1.5/4.0; blue; wire electrode Ø 0.8-1.0; for 5.00 m		126.0011	1034
130	PTFE core liner 2.0/4.0; red; wire electrode Ø 1.0-1.2; for 3.00 m		126.0021	1034
130	PTFE core liner 2.0/4.0; red; wire electrode Ø 1.0-1.2; for 4.00 m		126.0026	1034
130	PTFE core liner 2.0/4.0; red; wire electrode Ø 1.0-1.2; for 5.00 m		126.0028	1034
130	PTFE carbon core liner 1.5/4.0; wire electrode Ø 0.8-1.0; for 3.00 m		127.0002	1034
130	PTFE carbon core liner 1.5/4.0; wire electrode Ø 0.8-1.0; for 4.00 m		127.0003	1034
130	PTFE carbon core liner 1.5/4.0; wire electrode Ø 0.8-1.0; for 5.00 m		127.0004	1034
130	PTFE carbon core liner 2.0/4.0; wire electrode Ø 1.0-1.2; for 3.00 m		127.0005	1034
130	PTFE carbon core liner 2.0/4.0; wire electrode Ø 1.0-1.2; for 4.00 m		127.0007	1034
130	PTFE carbon core liner 2.0/4.0; wire electrode Ø 1.0-1.2; for 5.00 m		127.0008	1034
131	Nipple for core liner at Ø 4.0	20 Pcs.	131.0001	1095
132	O-Ring 3.5x1.5	20 Pcs.	165.0008	9010
133	Guide tube for core liners up to Ø 4.0 (200 mm)	10 Pcs.	129.0461	1095
200	Spanner Standard	10 Pcs.	191.0001	9010

Notes

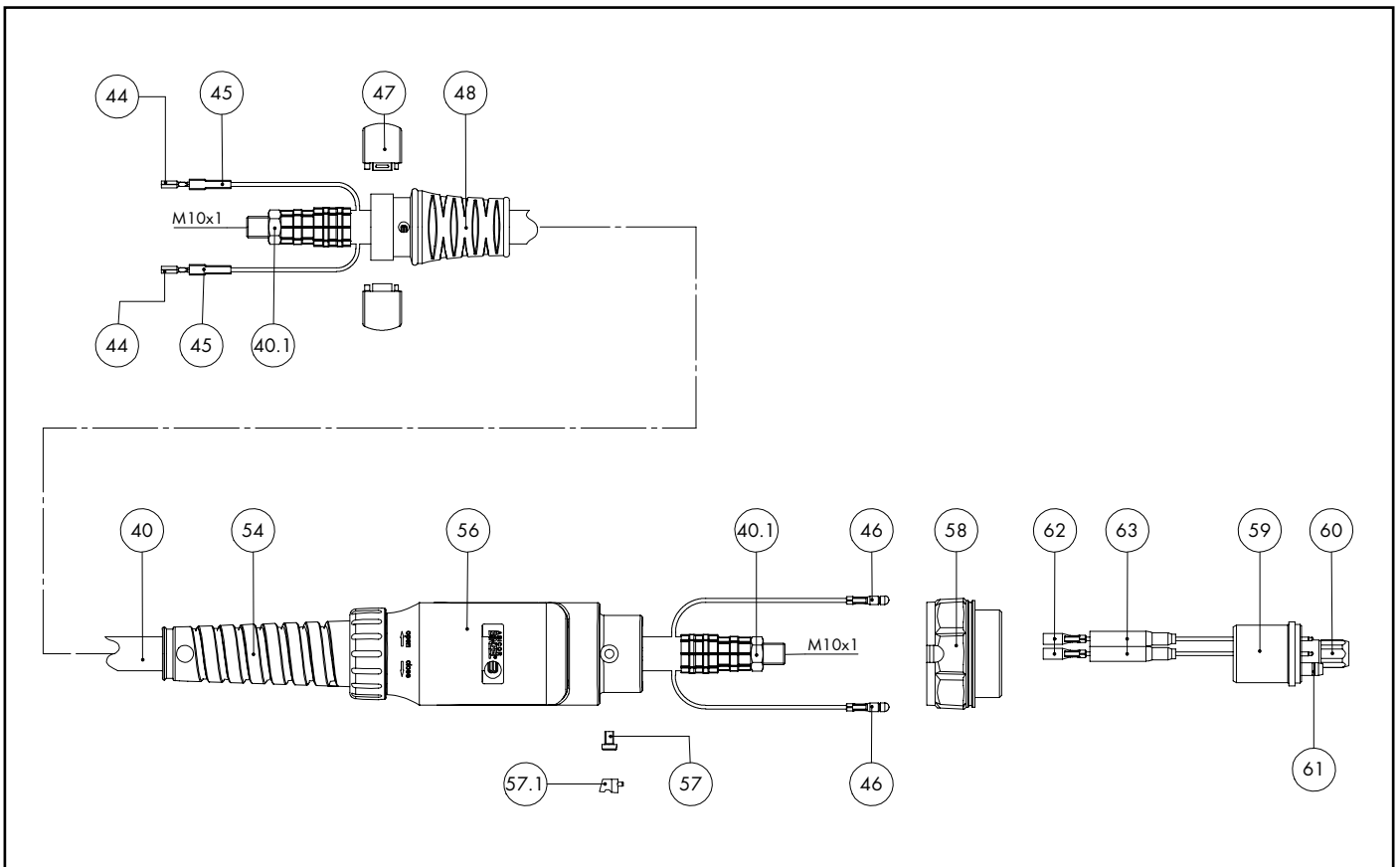


MIG/MAG Welding Torches MB EVO 24



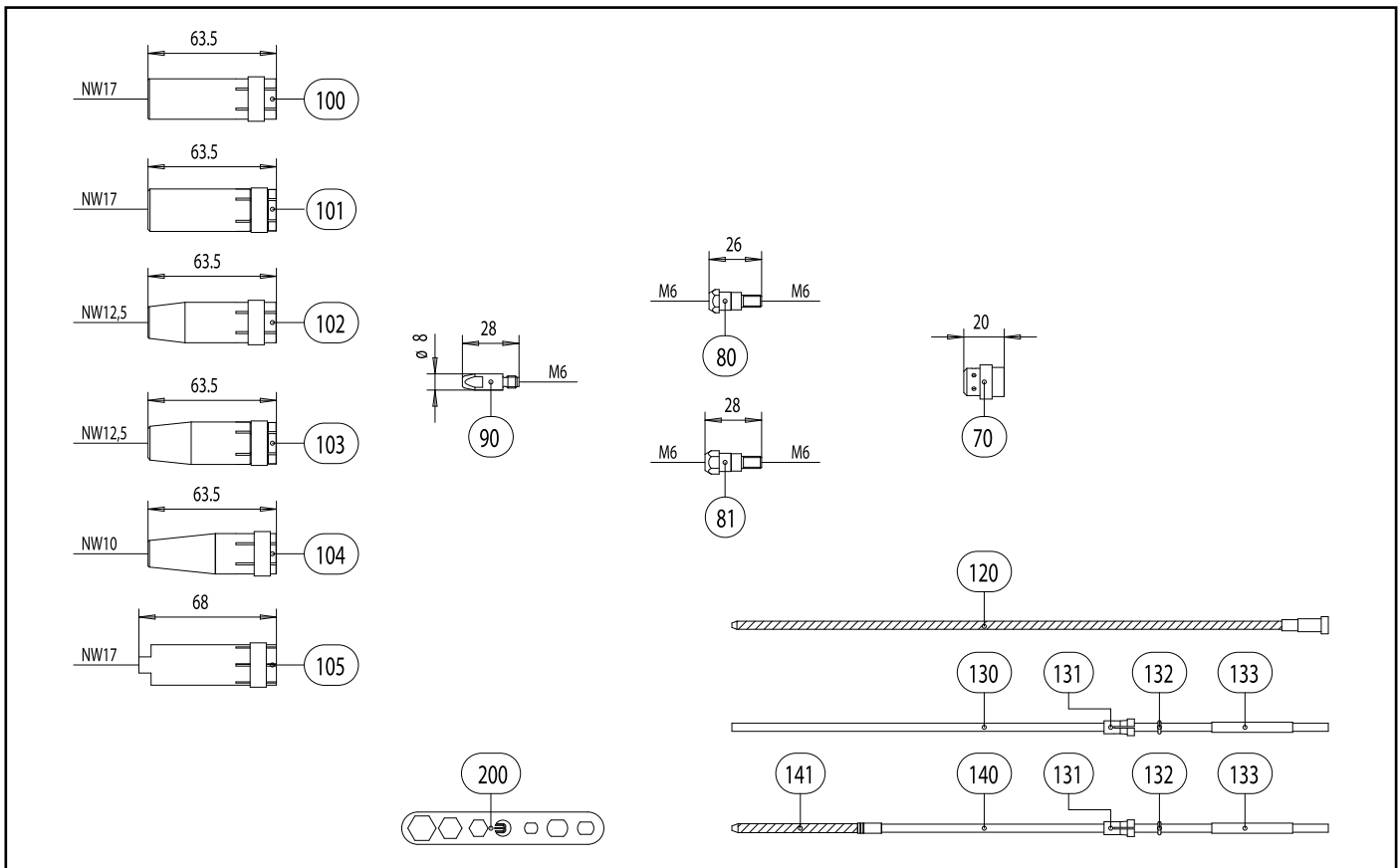
Pos.	Description	Details	Part-No.	Product group
Torch				
	MB EVO 24; central adaptor KZ-2; 3.00 m		012.0368.1	1063
	MB EVO 24; central adaptor KZ-2; 4.00 m		012.0369.1	1063
	MB EVO 24; central adaptor KZ-2; 5.00 m		012.0370.1	1063
Swan neck				
1	Swan neck MB EVO PRO 24; 50° bent		012.0374.1	1007
Handle MB EVO 2K				
10	Handle MB EVO 2K; 2-pole ac complete		180.0178.1	1095
10.1	Trigger ergonomic 2-pole; MB EVO PRO / MB EVO		185.0142.1	9010
Cable assembly				
40	Bikox® power cable, R5 for 3.00 m		160.D427	1511
40	Bikox® power cable, R5 for 4.00 m		160.D428	1511
40	Bikox® power cable, R5 for 5.00 m		160.D429	1511
40.1	Hexagon nut M10x1	10 Pcs.	001.0009	9010
44	Trigger wire connector	20 Pcs.	175.0022	9010
45	Insulating sleeve	20 Pcs.	400.0119	1095
46	Male connector	20 Pcs.	175.0004	9010
47	Half ring D=37 black; MB EVO	2 Pcs.	400.D451.2	1595
48	Cable support short ND 17-22		400.D574.1	1595
54	Cable support ND 19		400.1010	1095
56	Connection housing ac complete; MB EVO PRO / MB EVO		501.2673.1	9010
57	Pan head screw M4x6	20 Pcs.	000.0552	9010
57.1	Screw cap 1	20 Pcs.	500.0251	9010
58	Adaptor nut M33x2		500.0213	9010
59	Central adaptor KZ-2		501.0003	1095
60	Coupling nut M10x1	10 Pcs.	501.D536	1595

MIG/MAG Welding Torches MB EVO 24



Pos.	Description	Details	Part-No.	Product group
61	O-Ring 4x1	20 Pcs.	165.0002	9010
62	Trigger wire connector; female	20 Pcs.	175.0003	9010
63	Insulating sleeve for central adapter	20 Pcs.	501.2609.20	1395
Wear parts				
70	Gas diffuser, white	10 Pcs.	012.0183	1032
70	Gas diffuser, silicone rubber	10 Pcs.	012.0243	1032
80	Contact tip holder M6; 26.0 mm	10 Pcs.	142.0003	1033
81	Contact tip holder M6; 28.0 mm	10 Pcs.	142.0010	1033
90	Contact tip M6 E-Cu; Ø 0.8 (8x28)	10 Pcs.	140.0051	1030
90	Contact tip M6 E-Cu; Ø 1.0 (8x28)	10 Pcs.	140.0242	1030
90	Contact tip M6 E-Cu; Ø 1.2 (8x28)	10 Pcs.	140.0379	1030
90	Contact tip M6 CuCrZr; Ø 0.8 (8x28)	10 Pcs.	140.0054	1031
90	Contact tip M6 CuCrZr; Ø 1.0 (8x28)	10 Pcs.	140.0245	1031
90	Contact tip M6 CuCrZr; Ø 1.2 (8x28)	10 Pcs.	140.0382	1031
90	Contact tip M6 E-Cu; Ø 0.8 for alu wire (8x28)	10 Pcs.	141.0001	1030
90	Contact tip M6 E-Cu; Ø 1.0 for alu wire (8x28)	10 Pcs.	141.0006	1030
90	Contact tip M6 E-Cu; Ø 1.2 for alu wire (8x28)	10 Pcs.	141.0010	1030
90	Contact tip M6 CuCrZr silver-plated; Ø 0.8 (8x28)	10 Pcs.	147.0054	1031
90	Contact tip M6 CuCrZr silver-plated; Ø 1.0 (8x28)	10 Pcs.	147.0245	1031
90	Contact tip M6 CuCrZr silver-plated; Ø 1.2 (8x28)	10 Pcs.	147.0382	1031
100	Gas nozzle; cylindrical; ND Ø 17.0	10 Pcs.	145.0047	1036
101	Gas nozzle; cylindrical; heavy duty; ND Ø 17.0	10 Pcs.	145.0062	1036
102	Gas nozzle; conical; ND Ø 12.5	10 Pcs.	145.0080	1036
103	Gas nozzle; conical; heavy duty; ND Ø 12.5	10 Pcs.	145.0101	1036
104	Gas nozzle; tapered; ND Ø 10.0	10 Pcs.	145.0128	1036
105	Spot weld gas nozzle; ND Ø 17.0	10 Pcs.	145.0174	1036

MIG/MAG Welding Torches MB EVO 24



Pos. Description

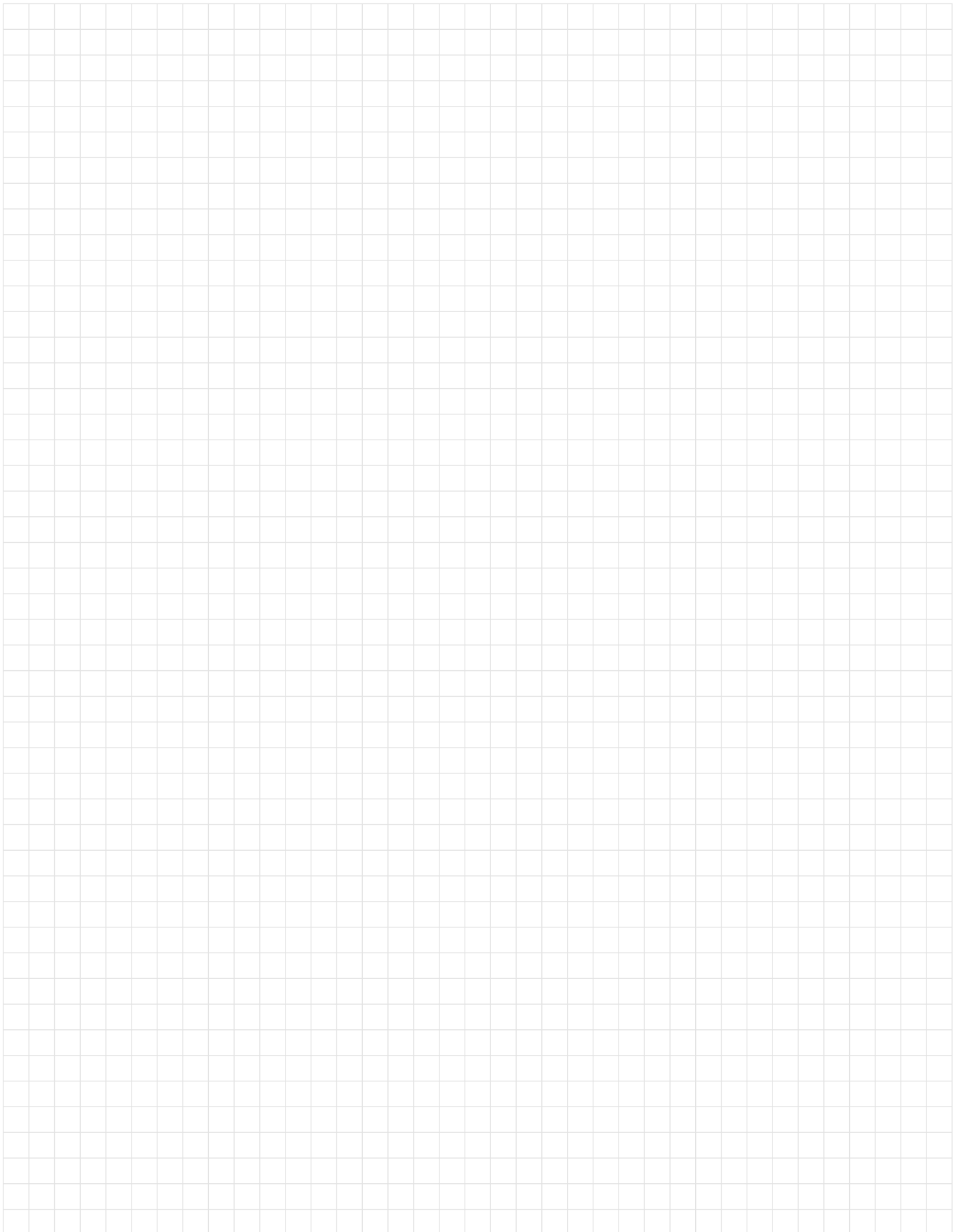
Details

Part-No.

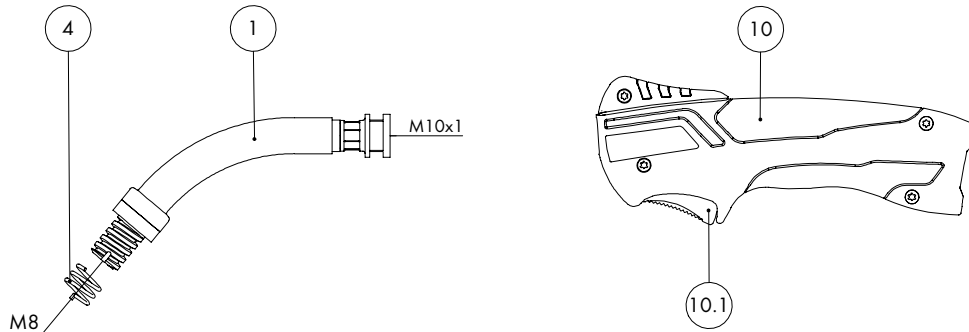
Product group

Pos.	Description	Details	Part-No.	Product group
120	Guide spiral liner insulated; 1.5/4.0; blue; for wire Ø 0.6-0.8; for 3.00 m		124.0011	1034
120	Guide spiral liner insulated; 1.5/4.0; blue; for wire Ø 0.6-0.8; for 4.00 m		124.0012	1034
120	Guide spiral liner insulated; 1.5/4.0; blue; for wire Ø 0.6-0.8; for 5.00 m		124.0015	1034
120	Guide spiral liner insulated; 2.0/4.5; red; for wire Ø 1.0-1.2; for 3.00 m		124.0026	1034
120	Guide spiral liner insulated; 2.0/4.5; red; for wire Ø 1.0-1.2; for 4.00 m		124.0031	1034
120	Guide spiral liner insulated; 2.0/4.5; red; for wire Ø 1.0-1.2; for 5.00 m		124.0035	1034
130	PTFE core liner 1.5/4.0; blue; wire electrode Ø 0.8-1.0; for 3.00 m		126.0005	1034
130	PTFE core liner 1.5/4.0; blue; wire electrode Ø 0.8-1.0; for 4.00 m		126.0008	1034
130	PTFE core liner 1.5/4.0; blue; wire electrode Ø 0.8-1.0; for 5.00 m		126.0011	1034
130	PTFE core liner 2.0/4.0; red; wire electrode Ø 1.0-1.2; for 3.00 m		126.0021	1034
130	PTFE core liner 2.0/4.0; red; wire electrode Ø 1.0-1.2; for 4.00 m		126.0026	1034
130	PTFE core liner 2.0/4.0; red; wire electrode Ø 1.0-1.2; for 5.00 m		126.0028	1034
130	PTFE carbon core liner 1.5/4.0; wire electrode Ø 0.8-1.0; for 3.00 m		127.0002	1034
130	PTFE carbon core liner 1.5/4.0; wire electrode Ø 0.8-1.0; for 4.00 m		127.0003	1034
130	PTFE carbon core liner 1.5/4.0; wire electrode Ø 0.8-1.0; for 5.00 m		127.0004	1034
130	PTFE carbon core liner 2.0/4.0; wire electrode Ø 1.0-1.2; for 3.00 m		127.0005	1034
130	PTFE carbon core liner 2.0/4.0; wire electrode Ø 1.0-1.2; for 4.00 m		127.0007	1034
130	PTFE carbon core liner 2.0/4.0; wire electrode Ø 1.0-1.2; for 5.00 m		127.0008	1034
131	Nipple for core liner at Ø 4.0	20 Pcs.	131.0001	1095
132	O-Ring 3.5x1.5	20 Pcs.	165.0008	9010
133	Guide tube for core liners up to Ø 4.0 (200 mm)	10 Pcs.	129.0461	1095
140	Combined wire guide cpl. polyamide/brass; wire Ø 1.0-1.2; for 3.00 m		128.M002	1034
140	Combined wire guide cpl. polyamide/brass; wire Ø 1.0-1.2; for 4.00 m		128.M003	1034
140	Combined wire guide cpl. polyamide/brass; wire Ø 1.0-1.2; for 5.00 m		128.M004	1034
141	Brass spiral made up with sleeve (200 mm)	10 Pcs.	001.0305	1095
200	Spanner Standard	10 Pcs.	191.0001	9010

Notes

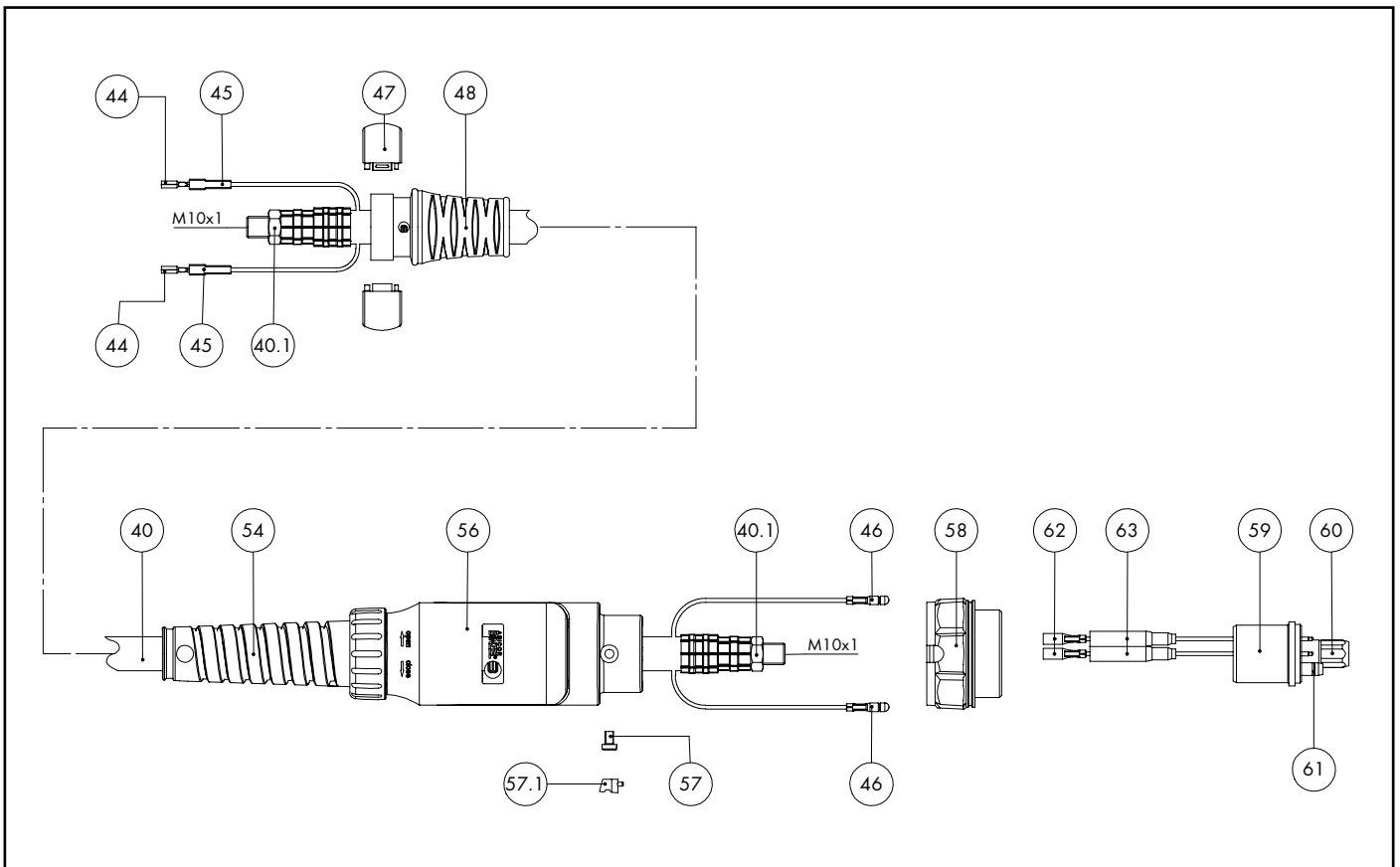


MIG/MAG Welding Torches MB EVO 25



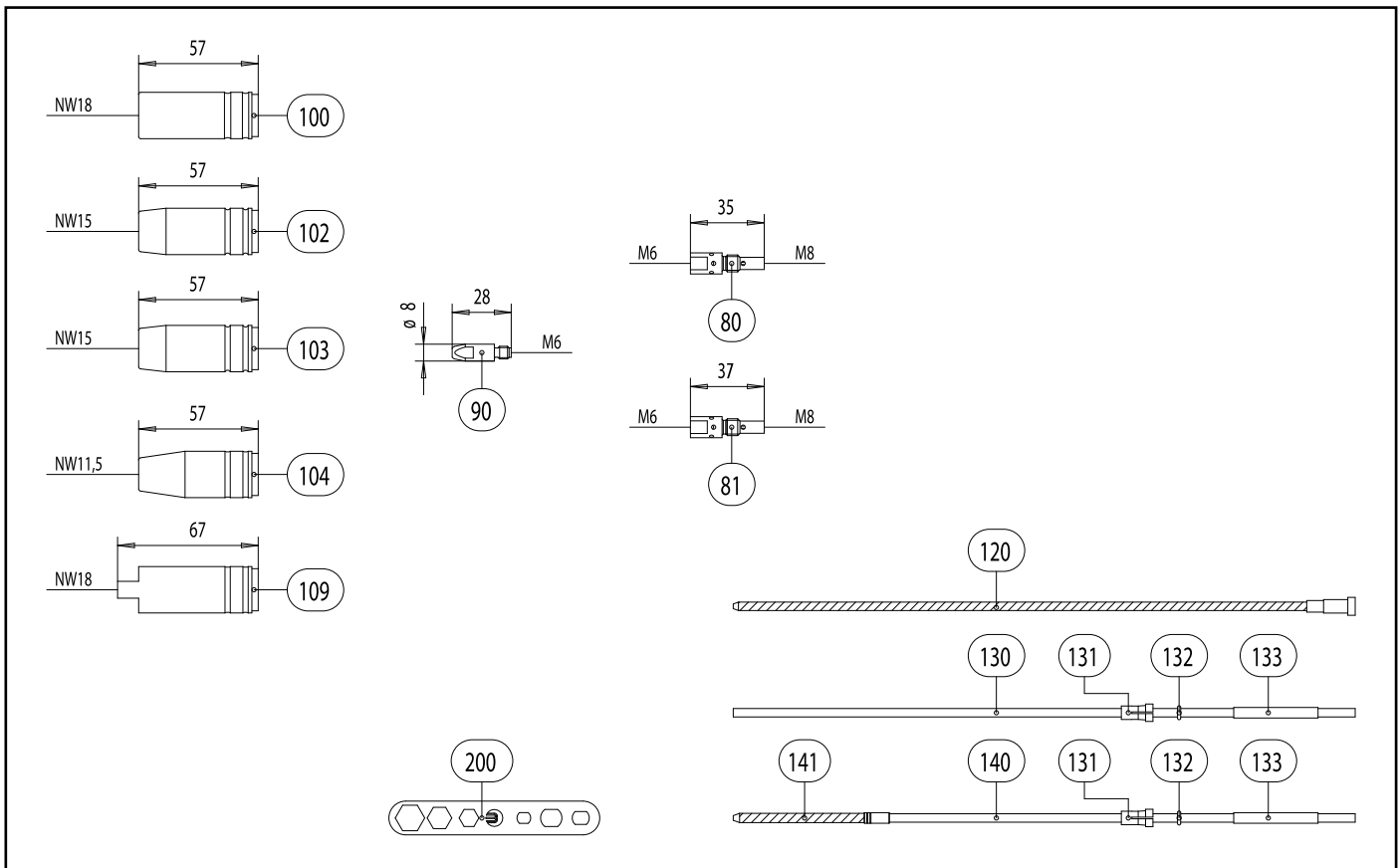
Pos.	Description	Details	Part-No.	Product group
Torch				
	MB EVO 25; central adaptor KZ-2; 3.00 m		004.0668.1	1063
	MB EVO 25; central adaptor KZ-2; 4.00 m		004.0669.1	1063
	MB EVO 25; central adaptor KZ-2; 5.00 m		004.0670.1	1063
Swan neck				
1	Swan neck MB EVO PRO 25; 50° bent		004.0663.1	1007
4	Nozzle spring	100 Pcs.	003.0013	1095
Handle MB EVO 2K				
10	Handle MB EVO 2K; 2-pole ac complete		180.0178.1	1095
10.1	Trigger ergonomic 2-pole; MB EVO PRO / MB EVO		185.0142.1	9010
Cable assembly				
40	Bikox® power cable, R20 for 3.00 m		160.1294.1	1511
40	Bikox® power cable, R20 for 4.00 m		160.1295.1	1511
40	Bikox® power cable, R20 for 5.00 m		160.1296.1	1511
40.1	Hexagon nut M10x1	10 Pcs.	001.0009	9010
44	Trigger wire connector	20 Pcs.	175.0022	9010
45	Insulating sleeve	20 Pcs.	400.0119	1095
46	Male connector	20 Pcs.	175.0004	9010
47	Half ring D=37 black; MB EVO	2 Pcs.	400.D451.2	1595
48	Cable support short ND 17-22		400.D574.1	1595
54	Cable support ND 19		400.1010	1095
56	Connection housing ac complete; MB EVO PRO / MB EVO		501.2673.1	9010
57	Pan head screw M4x6	20 Pcs.	000.0552	9010
57.1	Screw cap 1	20 Pcs.	500.0251	9010
58	Adaptor nut M33x2		500.0213	9010
59	Central adaptor KZ-2		501.0003	1095

MIG/MAG Welding Torches MB EVO 25



Pos.	Description	Details	Part-No.	Product group
60	Coupling nut M10x1	10 Pcs.	501.D536	1595
61	O-Ring 4x1	20 Pcs.	165.0002	9010
62	Trigger wire connector; female	20 Pcs.	175.0003	9010
63	Insulating sleeve for central adapter	20 Pcs.	501.2609.20	1395
Wear parts				
80	Contact tip holder M6; 35.0 mm	10 Pcs.	142.0001	1033
81	Contact tip holder M6; 37.0 mm	10 Pcs.	142.0267.10	1033
90	Contact tip M6 E-Cu; Ø 0.8 (8x28)	10 Pcs.	140.0051	1030
90	Contact tip M6 E-Cu; Ø 1.0 (8x28)	10 Pcs.	140.0242	1030
90	Contact tip M6 E-Cu; Ø 1.2 (8x28)	10 Pcs.	140.0379	1030
90	Contact tip M6 CuCrZr; Ø 0.8 (8x28)	10 Pcs.	140.0054	1031
90	Contact tip M6 CuCrZr; Ø 1.0 (8x28)	10 Pcs.	140.0245	1031
90	Contact tip M6 CuCrZr; Ø 1.2 (8x28)	10 Pcs.	140.0382	1031
90	Contact tip M6 E-Cu; Ø 0.8 for alu wire (8x28)	10 Pcs.	141.0001	1030
90	Contact tip M6 E-Cu; Ø 1.0 for alu wire (8x28)	10 Pcs.	141.0006	1030
90	Contact tip M6 E-Cu; Ø 1.2 for alu wire (8x28)	10 Pcs.	141.0010	1030
90	Contact tip M6 CuCrZr silver-plated; Ø 0.8 (8x28)	10 Pcs.	147.0054	1031
90	Contact tip M6 CuCrZr silver-plated; Ø 1.0 (8x28)	10 Pcs.	147.0245	1031
90	Contact tip M6 CuCrZr silver-plated; Ø 1.2 (8x28)	10 Pcs.	147.0382	1031
100	Gas nozzle; cylindrical; ND Ø 18.0	10 Pcs.	145.0042	1036
102	Gas nozzle; conical; ND Ø 15.0	10 Pcs.	145.0076	1036
103	Gas nozzle; conical; with extended insulation; ND Ø 15.0	10 Pcs.	145.0100	1036
104	Gas nozzle; tapered; ND Ø 11.5	10 Pcs.	145.0124	1036
109	Spot weld gas nozzle; ND Ø 18.0	10 Pcs.	145.0169	1036
120	Guide spiral liner insulated; 1.5/4.0; blue; for wire Ø 0.6–0.8; for 3.00 m		124.0011	1034
120	Guide spiral liner insulated; 1.5/4.0; blue; for wire Ø 0.6–0.8; for 4.00 m		124.0012	1034

MIG/MAG Welding Torches MB EVO 25



Pos. Description

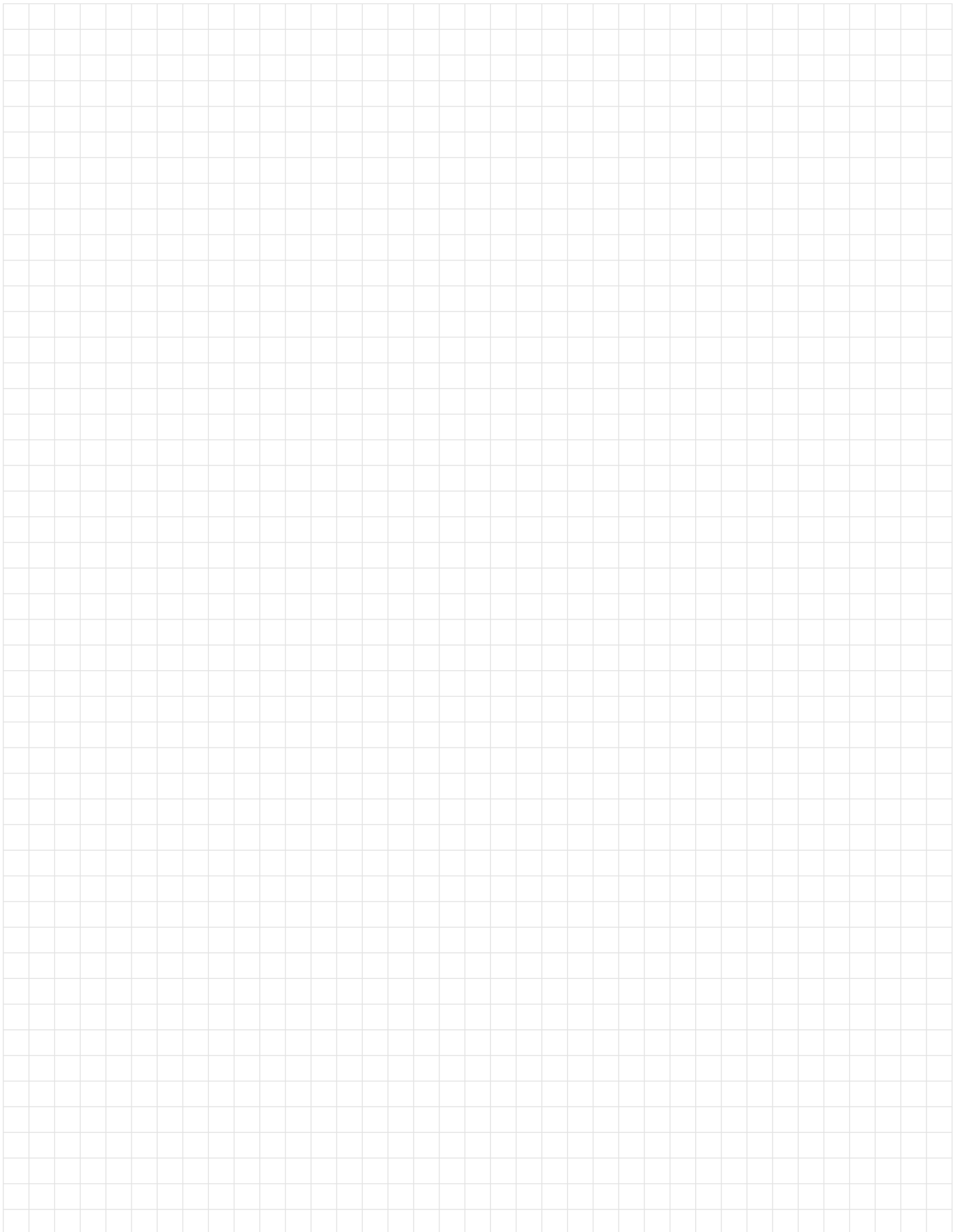
Details

Part-No.

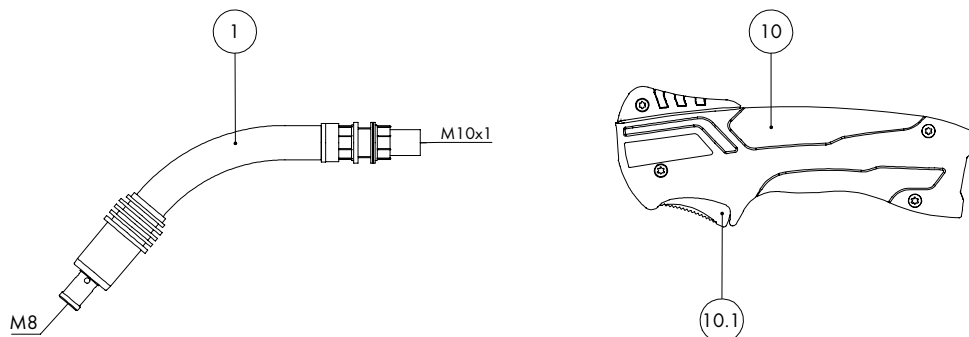
Product group

Pos.	Description	Details	Part-No.	Product group
120	Guide spiral liner insulated; 1.5/4.0; blue; for wire Ø 0.6-0.8; for 5.00 m		124.0015	1034
120	Guide spiral liner insulated; 2.0/4.5; red; for wire Ø 1.0-1.2; for 3.00 m		124.0026	1034
120	Guide spiral liner insulated; 2.0/4.5; red; for wire Ø 1.0-1.2; for 4.00 m		124.0031	1034
120	Guide spiral liner insulated; 2.0/4.5; red; for wire Ø 1.0-1.2; for 5.00 m		124.0035	1034
130	PTFE core liner 1.5/4.0; blue; wire electrode Ø 0.8-1.0; for 3.00 m		126.0005	1034
130	PTFE core liner 1.5/4.0; blue; wire electrode Ø 0.8-1.0; for 4.00 m		126.0008	1034
130	PTFE core liner 1.5/4.0; blue; wire electrode Ø 0.8-1.0; for 5.00 m		126.0011	1034
130	PTFE core liner 2.0/4.0; red; wire electrode Ø 1.0-1.2; for 3.00 m		126.0021	1034
130	PTFE core liner 2.0/4.0; red; wire electrode Ø 1.0-1.2; for 4.00 m		126.0026	1034
130	PTFE core liner 2.0/4.0; red; wire electrode Ø 1.0-1.2; for 5.00 m		126.0028	1034
130	PTFE carbon core liner 1.5/4.0; wire electrode Ø 0.8-1.0; for 3.00 m		127.0002	1034
130	PTFE carbon core liner 1.5/4.0; wire electrode Ø 0.8-1.0; for 4.00 m		127.0003	1034
130	PTFE carbon core liner 1.5/4.0; wire electrode Ø 0.8-1.0; for 5.00 m		127.0004	1034
130	PTFE carbon core liner 2.0/4.0; wire electrode Ø 1.0-1.2; for 3.00 m		127.0005	1034
130	PTFE carbon core liner 2.0/4.0; wire electrode Ø 1.0-1.2; for 4.00 m		127.0007	1034
130	PTFE carbon core liner 2.0/4.0; wire electrode Ø 1.0-1.2; for 5.00 m		127.0008	1034
131	Nipple for core liner at Ø 4.0	20 Pcs.	131.0001	1095
132	O-Ring 3.5x1.5	20 Pcs.	165.0008	9010
133	Guide tube for core liners up to Ø 4.0 (200 mm)	10 Pcs.	129.0461	1095
140	Combined wire guide cpl. polyamide/brass; wire Ø 1.0-1.2; for 3.00 m		128.M002	1034
140	Combined wire guide cpl. polyamide/brass; wire Ø 1.0-1.2; for 4.00 m		128.M003	1034
140	Combined wire guide cpl. polyamide/brass; wire Ø 1.0-1.2; for 5.00 m		128.M004	1034
141	Brass spiral made up with sleeve (200 mm)	10 Pcs.	001.0305	1095
200	Spanner Standard	10 Pcs.	191.0001	9010

Notes

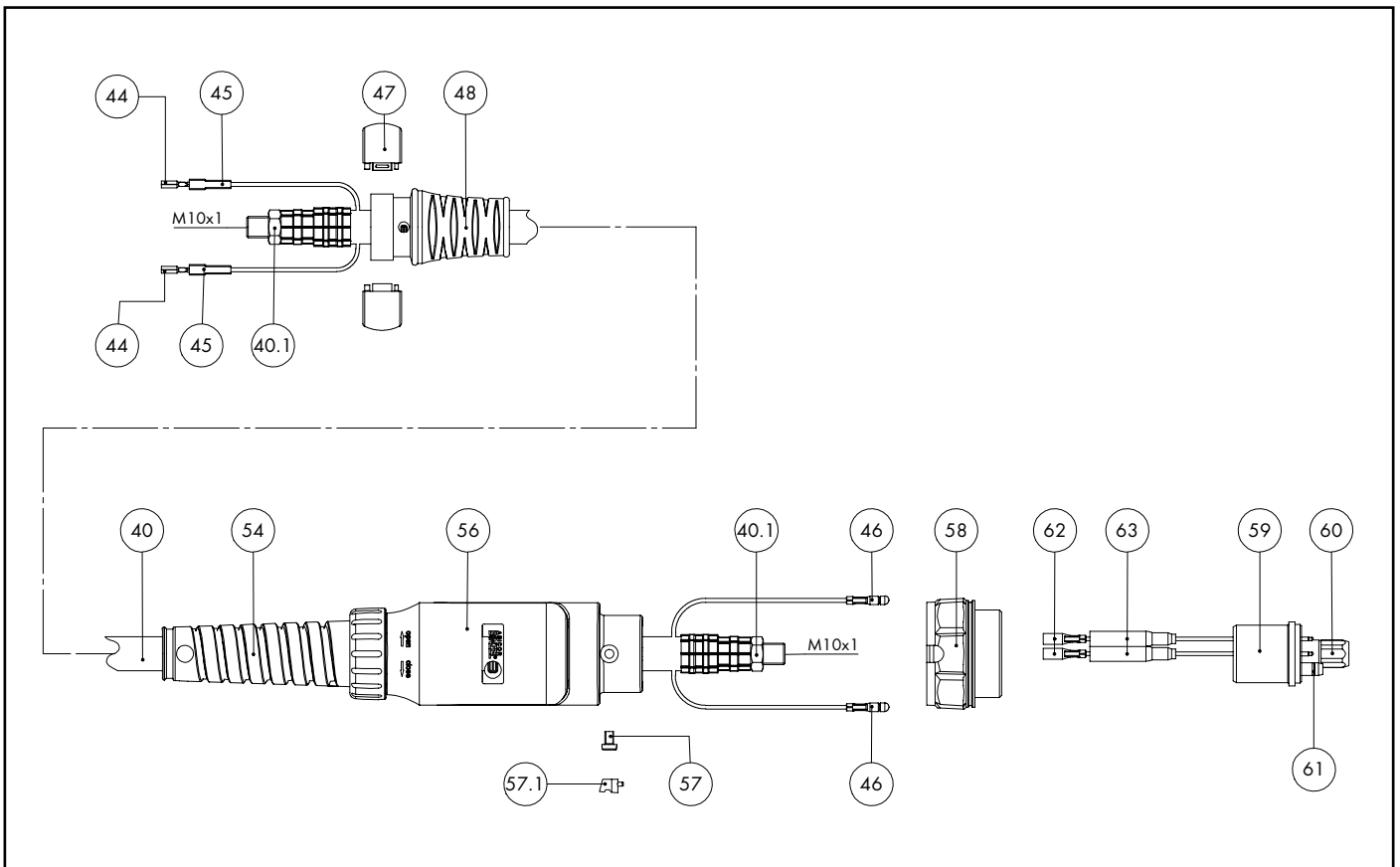


MIG/MAG Welding Torches MB EVO 26



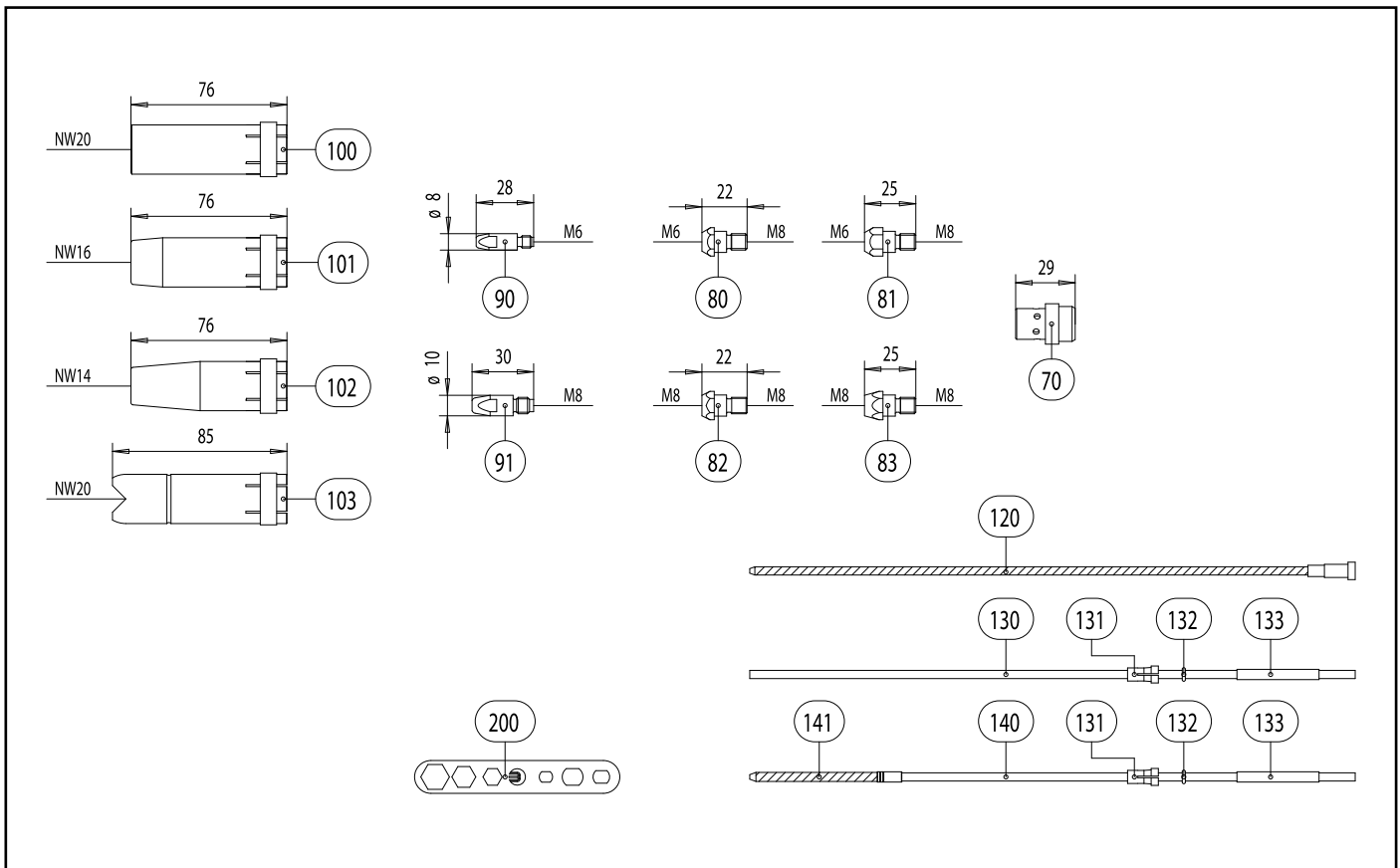
Pos.	Description	Details	Part-No.	Product group
Torch				
	MB EVO 26; central adaptor KZ-2; 3.00 m		018.0208.1	1065
	MB EVO 26; central adaptor KZ-2; 4.00 m		018.0209.1	1065
	MB EVO 26; central adaptor KZ-2; 5.00 m		018.0210.1	1065
Swan neck				
1	Swan neck MB EVO PRO 26; 50° bent		018.0214.1	1014
Handle MB EVO 2K				
10	Handle MB EVO 2K; 2-pole ac complete		180.0178.1	1095
10.1	Trigger ergonomic 2-pole; MB EVO PRO / MB EVO		185.0142.1	9010
Cable assembly				
40	Bikox® power cable, R30 for 3.00 m		160.1305.1	1511
40	Bikox® power cable, R30 for 4.00 m		160.1306.1	1511
40	Bikox® power cable, R30 for 5.00 m		160.1307.1	1511
40.1	Hexagon nut M10x1	10 Pcs.	001.0009	9010
44	Trigger wire connector	20 Pcs.	175.0022	9010
45	Insulating sleeve	20 Pcs.	400.0119	1095
46	Male connector	20 Pcs.	175.0004	9010
47	Half ring D=37 black; MB EVO	2 Pcs.	400.D451.2	1595
48	Cable support short ND 17-22		400.D574.1	1595
54	Cable support ND 19		400.1010	1095
56	Connection housing ac complete; MB EVO PRO / MB EVO		501.2673.1	9010
57	Pan head screw M4x6	20 Pcs.	000.0552	9010
57.1	Screw cap 1	20 Pcs.	500.0251	9010
58	Adaptor nut M33x2		500.0213	9010
59	Central adaptor KZ-2		501.0003	1095
60	Coupling nut M10x1	10 Pcs.	501.D536	1595

MIG/MAG Welding Torches MB EVO 26



Pos.	Description	Details	Part-No.	Product group
61	O-Ring 4x1	20 Pcs.	165.0002	9010
62	Trigger wire connector; female	20 Pcs.	175.0003	9010
63	Insulating sleeve for central adapter	20 Pcs.	501.2609.20	1395
Wear parts				
70	Gas diffuser, white	10 Pcs.	018.0116	1032
70	Gas diffuser, ceramic	10 Pcs.	018.0141	1032
80	Contact tip holder M6; 22.0 mm (short)	10 Pcs.	142.0007	1033
81	Contact tip holder M6; 25.0 mm (long)	10 Pcs.	142.0012	1033
82	Contact tip holder M8; 22.0 mm (short)	10 Pcs.	142.0082	1033
83	Contact tip holder M8; 25.0 mm (long)	10 Pcs.	142.0026	1033
90	Contact tip M6 E-Cu; Ø 0.8 (8x28)	10 Pcs.	140.0051	1030
90	Contact tip M6 E-Cu; Ø 1.0 (8x28)	10 Pcs.	140.0242	1030
90	Contact tip M6 E-Cu; Ø 1.2 (8x28)	10 Pcs.	140.0379	1030
90	Contact tip M6 CuCrZr; Ø 0.8 (8x28)	10 Pcs.	140.0054	1031
90	Contact tip M6 CuCrZr; Ø 1.0 (8x28)	10 Pcs.	140.0245	1031
90	Contact tip M6 CuCrZr; Ø 1.2 (8x28)	10 Pcs.	140.0382	1031
90	Contact tip M6 E-Cu; Ø 0.8 for alu wire (8x28)	10 Pcs.	141.0001	1030
90	Contact tip M6 E-Cu; Ø 1.0 for alu wire (8x28)	10 Pcs.	141.0006	1030
90	Contact tip M6 E-Cu; Ø 1.2 for alu wire (8x28)	10 Pcs.	141.0010	1030
90	Contact tip M6 CuCrZr silver-plated; Ø 0.8 (8x28)	10 Pcs.	147.0054	1031
90	Contact tip M6 CuCrZr silver-plated; Ø 1.0 (8x28)	10 Pcs.	147.0245	1031
90	Contact tip M6 CuCrZr silver-plated; Ø 1.2 (8x28)	10 Pcs.	147.0382	1031
91	Contact tip M8 E-Cu; Ø 0.8 (10x30)	10 Pcs.	140.0114	1030
91	Contact tip M8 E-Cu; Ø 1.0 (10x30)	10 Pcs.	140.0313	1030
91	Contact tip M8 E-Cu; Ø 1.2 (10x30)	10 Pcs.	140.0442	1030
91	Contact tip M8 CuCrZr; Ø 0.8 (10x30)	10 Pcs.	140.0117	1031

MIG/MAG Welding Torches MB EVO 26



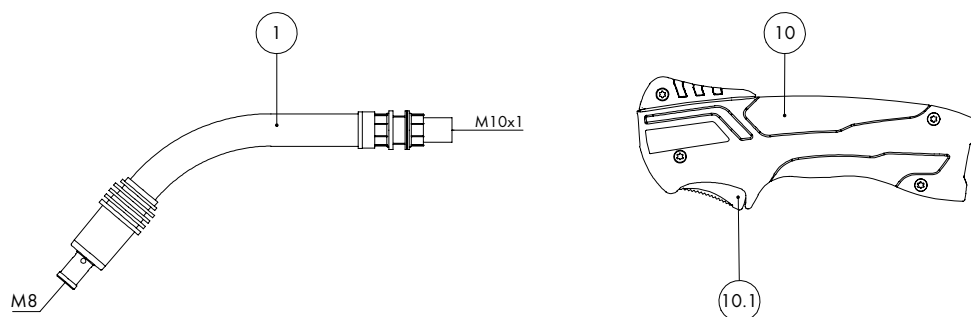
Pos. Description

Pos.	Description	Details	Part-No.	Product group
91	Contact tip M8 CuCrZr; Ø 1.0 (10x30)	10 Pcs.	140.0316	1031
91	Contact tip M8 CuCrZr; Ø 1.2 (10x30)	10 Pcs.	140.0445	1031
91	Contact tip M8 E-Cu; Ø 0.8 for alu wire (10x30)	10 Pcs.	141.0003	1030
91	Contact tip M8 E-Cu; Ø 1.0 for alu wire (10x30)	10 Pcs.	141.0008	1030
91	Contact tip M8 E-Cu; Ø 1.2 for alu wire (10x30)	10 Pcs.	141.0015	1030
91	Contact tip M8 CuCrZr silver-plated; Ø 0.8 (10x30)	10 Pcs.	147.0117	1031
91	Contact tip M8 CuCrZr silver-plated; Ø 1.0 (10x30)	10 Pcs.	147.0316	1031
91	Contact tip M8 CuCrZr silver-plated; Ø 1.2 (10x30)	10 Pcs.	147.0445	1031
100	Gas nozzle; cylindrical; ND Ø 20.0	10 Pcs.	145.0051	1037
101	Gas nozzle; conical; ND Ø 16.0	10 Pcs.	145.0085	1037
102	Gas nozzle; tapered; ND Ø 14.0	10 Pcs.	145.0132	1037
103	Spot weld gas nozzle; ND Ø 20.0	10 Pcs.	145.0179	1037
120	Guide spiral liner insulated; 1.5/4.0; blue; for wire Ø 0.6-0.8; for 3.00 m		124.0011	1034
120	Guide spiral liner insulated; 1.5/4.0; blue; for wire Ø 0.6-0.8; for 4.00 m		124.0012	1034
120	Guide spiral liner insulated; 1.5/4.0; blue; for wire Ø 0.6-0.8; for 5.00 m		124.0015	1034
120	Guide spiral liner insulated; 2.0/4.5; red; for wire Ø 1.0-1.2; for 3.00 m		124.0026	1034
120	Guide spiral liner insulated; 2.0/4.5; red; for wire Ø 1.0-1.2; for 4.00 m		124.0031	1034
120	Guide spiral liner insulated; 2.0/4.5; red; for wire Ø 1.0-1.2; for 5.00 m		124.0035	1034
130	PTFE core liner 1.5/4.0; blue; wire electrode Ø 0.8-1.0; for 3.00 m		126.0005	1034
130	PTFE core liner 1.5/4.0; blue; wire electrode Ø 0.8-1.0; for 4.00 m		126.0008	1034
130	PTFE core liner 1.5/4.0; blue; wire electrode Ø 0.8-1.0; for 5.00 m		126.0011	1034
130	PTFE core liner 2.0/4.0; red; wire electrode Ø 1.0-1.2; for 3.00 m		126.0021	1034
130	PTFE core liner 2.0/4.0; red; wire electrode Ø 1.0-1.2; for 4.00 m		126.0026	1034
130	PTFE core liner 2.0/4.0; red; wire electrode Ø 1.0-1.2; for 5.00 m		126.0028	1034
130	PTFE carbon core liner 1.5/4.0; wire electrode Ø 0.8-1.0; for 3.00 m		127.0002	1034
130	PTFE carbon core liner 1.5/4.0; wire electrode Ø 0.8-1.0; for 4.00 m		127.0003	1034

MIG/MAG Welding Torches MB EVO 26

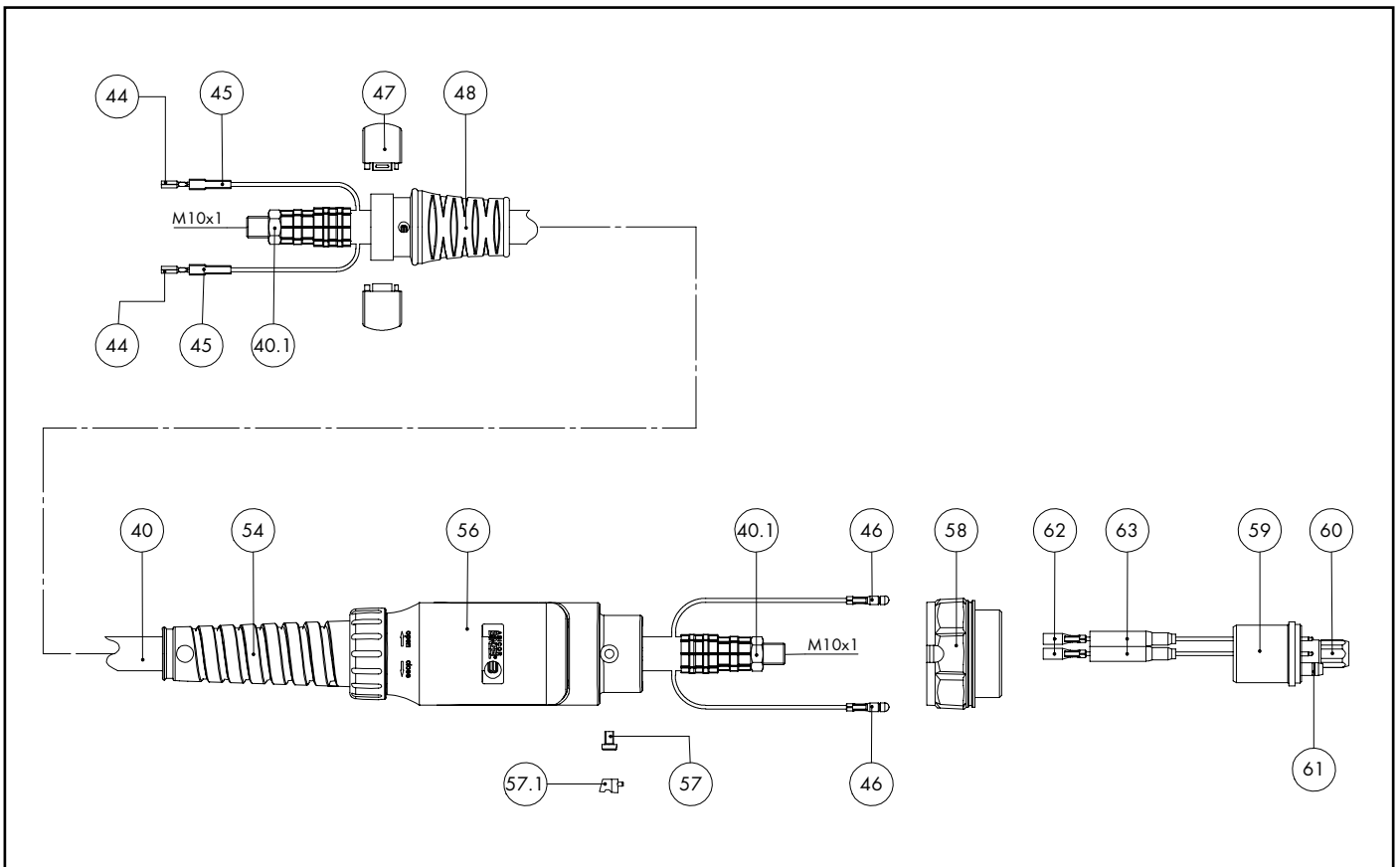
Pos.	Description	Details	Part-No.	Product group
130	PTFE carbon core liner 1.5/4.0; wire electrode Ø 0.8-1.0; for 5.00 m		127.0004	1034
130	PTFE carbon core liner 2.0/4.0; wire electrode Ø 1.0-1.2; for 3.00 m		127.0005	1034
130	PTFE carbon core liner 2.0/4.0; wire electrode Ø 1.0-1.2; for 4.00 m		127.0007	1034
130	PTFE carbon core liner 2.0/4.0; wire electrode Ø 1.0-1.2; for 5.00 m		127.0008	1034
131	Nipple for core liner at Ø 4.0	20 Pcs.	131.0001	1095
132	O-Ring 3.5x1.5	20 Pcs.	165.0008	9010
133	Guide tube for core liners up to Ø 4.0 (200 mm)	10 Pcs.	129.0461	1095
140	Combined wire guide cpl. polyamide/brass; wire Ø 1.0-1.2; for 3.00 m		128.M002	1034
140	Combined wire guide cpl. polyamide/brass; wire Ø 1.0-1.2; for 4.00 m		128.M003	1034
140	Combined wire guide cpl. polyamide/brass; wire Ø 1.0-1.2; for 5.00 m		128.M004	1034
141	Brass spiral made up with sleeve (200 mm)	10 Pcs.	001.0305	1095
200	Spanner Standard	10 Pcs.	191.0001	9010

MIG/MAG Welding Torches MB EVO 36



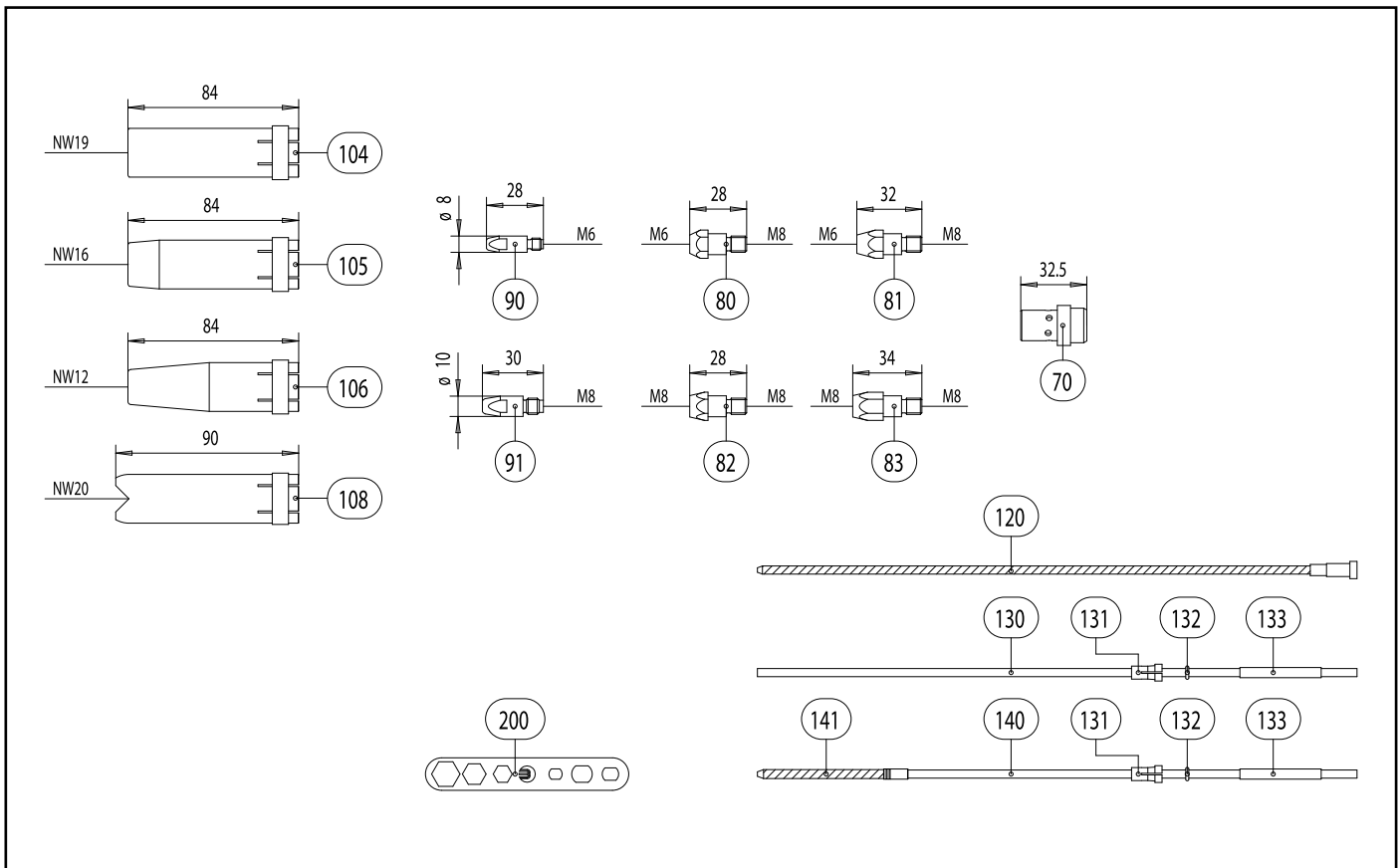
Pos.	Description	Details	Part-No.	Product group
Torch				
	MB EVO 36; central adaptor KZ-2; 3.00 m		014.0526.1	1065
	MB EVO 36; central adaptor KZ-2; 4.00 m		014.0527.1	1065
	MB EVO 36; central adaptor KZ-2; 5.00 m		014.0528.1	1065
Swan neck				
1	Swan neck MB EVO PRO 36; 50° bent		014.0518.1	1014
Handle MB EVO 2K				
10	Handle MB EVO 2K; 2-pole ac complete		180.0178.1	1095
10.1	Trigger ergonomic 2-pole; MB EVO PRO / MB EVO		185.0142.1	9010
Cable assembly				
40	Bikox® power cable, R40 for 3.00 m		160.1308.1	1511
40	Bikox® power cable, R40 for 4.00 m		160.1309.1	1511
40	Bikox® power cable, R40 for 5.00 m		160.1310.1	1511
40.1	Hexagon nut M10x1	10 Pcs.	001.0009	9010
44	Trigger wire connector	20 Pcs.	175.0022	9010
45	Insulating sleeve	20 Pcs.	400.0119	1095
46	Male connector	20 Pcs.	175.0004	9010
47	Half ring D=37 black; MB EVO	2 Pcs.	400.D451.2	1595
48	Cable support short ND 17-22		400.D574.1	1595
54	Cable support ND 19		400.1010	1095
56	Connection housing ac complete; MB EVO PRO / MB EVO		501.2673.1	9010
57	Pan head screw M4x6	20 Pcs.	000.0552	9010
57.1	Screw cap 1	20 Pcs.	500.0251	9010
58	Adaptor nut M33x2		500.0213	9010
59	Central adaptor KZ-2		501.0003	1095
60	Coupling nut M10x1	10 Pcs.	501.D536	1595

MIG/MAG Welding Torches MB EVO 36



Pos.	Description	Details	Part-No.	Product group
61	O-Ring 4x1	20 Pcs.	165.0002	9010
62	Trigger wire connector; female	20 Pcs.	175.0003	9010
63	Insulating sleeve for central adapter	20 Pcs.	501.2609.20	1395
Wear parts				
70	Gas diffuser, white	10 Pcs.	014.0261	1032
70	Gas diffuser, long life	10 Pcs.	014.0026	1032
70	Gas diffuser, ceramic	10 Pcs.	014.0023	1032
80	Contact tip holder M6; 28.0 mm (short)	10 Pcs.	142.0005	1033
81	Contact tip holder M6; 32.0 mm (long)	10 Pcs.	142.0011	1033
82	Contact tip holder M8; 28.0 mm (short)	10 Pcs.	142.0020	1033
83	Contact tip holder M8; 34.0 mm (long)	10 Pcs.	142.0024	1033
90	Contact tip M6 E-Cu; Ø 0.8 (8x28)	10 Pcs.	140.0051	1030
90	Contact tip M6 E-Cu; Ø 1.0 (8x28)	10 Pcs.	140.0242	1030
90	Contact tip M6 E-Cu; Ø 1.2 (8x28)	10 Pcs.	140.0379	1030
90	Contact tip M6 CuCrZr; Ø 0.8 (8x28)	10 Pcs.	140.0054	1031
90	Contact tip M6 CuCrZr; Ø 1.0 (8x28)	10 Pcs.	140.0245	1031
90	Contact tip M6 CuCrZr; Ø 1.2 (8x28)	10 Pcs.	140.0382	1031
90	Contact tip M6 E-Cu; Ø 0.8 for alu wire (8x28)	10 Pcs.	141.0001	1030
90	Contact tip M6 E-Cu; Ø 1.0 for alu wire (8x28)	10 Pcs.	141.0006	1030
90	Contact tip M6 E-Cu; Ø 1.2 for alu wire (8x28)	10 Pcs.	141.0010	1030
90	Contact tip M6 CuCrZr silver-plated; Ø 0.8 (8x28)	10 Pcs.	147.0054	1031
90	Contact tip M6 CuCrZr silver-plated; Ø 1.0 (8x28)	10 Pcs.	147.0245	1031
90	Contact tip M6 CuCrZr silver-plated; Ø 1.2 (8x28)	10 Pcs.	147.0382	1031
91	Contact tip M8 E-Cu; Ø 0.8 (10x30)	10 Pcs.	140.0114	1030
91	Contact tip M8 E-Cu; Ø 1.0 (10x30)	10 Pcs.	140.0313	1030
91	Contact tip M8 E-Cu; Ø 1.2 (10x30)	10 Pcs.	140.0442	1030

MIG/MAG Welding Torches MB EVO 36



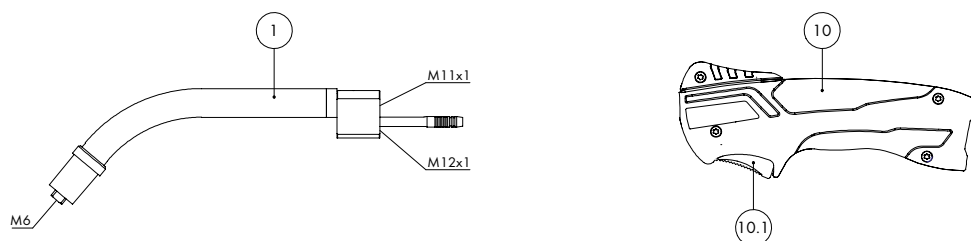
Pos. Description

Pos.	Description	Details	Part-No.	Product group
91	Contact tip M8 CuCrZr; Ø 0.8 (10x30)	10 Pcs.	140.0117	1031
91	Contact tip M8 CuCrZr; Ø 1.0 (10x30)	10 Pcs.	140.0316	1031
91	Contact tip M8 CuCrZr; Ø 1.2 (10x30)	10 Pcs.	140.0445	1031
91	Contact tip M8 E-Cu; Ø 0.8 for alu wire (10x30)	10 Pcs.	141.0003	1030
91	Contact tip M8 E-Cu; Ø 1.0 for alu wire (10x30)	10 Pcs.	141.0008	1030
91	Contact tip M8 E-Cu; Ø 1.2 for alu wire (10x30)	10 Pcs.	141.0015	1030
91	Contact tip M8 CuCrZr silver-plated; Ø 0.8 (10x30)	10 Pcs.	147.0117	1031
91	Contact tip M8 CuCrZr silver-plated; Ø 1.0 (10x30)	10 Pcs.	147.0316	1031
91	Contact tip M8 CuCrZr silver-plated; Ø 1.2 (10x30)	10 Pcs.	147.0445	1031
104	Gas nozzle; cylindrical; ND Ø 19.0	10 Pcs.	145.0045	1037
105	Gas nozzle; conical; ND Ø 16.0	10 Pcs.	145.0078	1037
106	Gas nozzle; tapered; ND Ø 12.0	10 Pcs.	145.0126	1037
108	Spot weld gas nozzle; ND Ø 20.0	10 Pcs.	145.0172	1037
120	Guide spiral liner insulated; 1.5/4.0; blue; for wire Ø 0.6-0.8; for 3.00 m		124.0011	1034
120	Guide spiral liner insulated; 1.5/4.0; blue; for wire Ø 0.6-0.8; for 4.00 m		124.0012	1034
120	Guide spiral liner insulated; 1.5/4.0; blue; for wire Ø 0.6-0.8; for 5.00 m		124.0015	1034
120	Guide spiral liner insulated; 2.0/4.5; red; for wire Ø 1.0-1.2; for 3.00 m		124.0026	1034
120	Guide spiral liner insulated; 2.0/4.5; red; for wire Ø 1.0-1.2; for 4.00 m		124.0031	1034
120	Guide spiral liner insulated; 2.0/4.5; red; for wire Ø 1.0-1.2; for 5.00 m		124.0035	1034
130	PTFE core liner 1.5/4.0; blue; wire electrode Ø 0.8-1.0; for 3.00 m		126.0005	1034
130	PTFE core liner 1.5/4.0; blue; wire electrode Ø 0.8-1.0; for 4.00 m		126.0008	1034
130	PTFE core liner 1.5/4.0; blue; wire electrode Ø 0.8-1.0; for 5.00 m		126.0011	1034
130	PTFE core liner 2.0/4.0; red; wire electrode Ø 1.0-1.2; for 3.00 m		126.0021	1034
130	PTFE core liner 2.0/4.0; red; wire electrode Ø 1.0-1.2; for 4.00 m		126.0026	1034
130	PTFE core liner 2.0/4.0; red; wire electrode Ø 1.0-1.2; for 5.00 m		126.0028	1034
130	PTFE carbon core liner 1.5/4.0; wire electrode Ø 0.8-1.0; for 3.00 m		127.0002	1034

MIG/MAG Welding Torches MB EVO 36

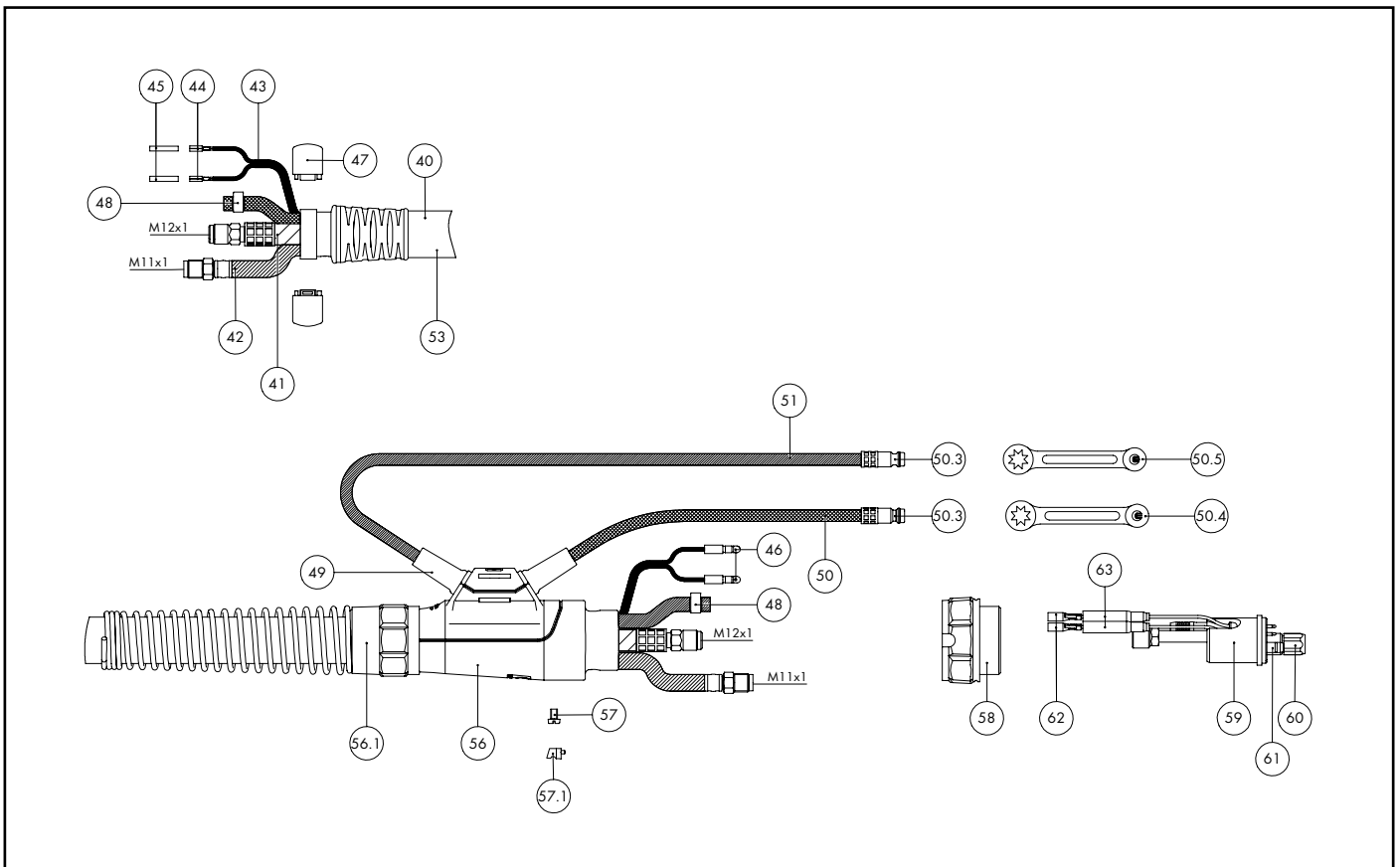
Pos.	Description	Details	Part-No.	Product group
130	PTFE carbon core liner 1.5/4.0; wire electrode Ø 0.8-1.0; for 4.00 m		127.0003	1034
130	PTFE carbon core liner 1.5/4.0; wire electrode Ø 0.8-1.0; for 5.00 m		127.0004	1034
130	PTFE carbon core liner 2.0/4.0; wire electrode Ø 1.0-1.2; for 3.00 m		127.0005	1034
130	PTFE carbon core liner 2.0/4.0; wire electrode Ø 1.0-1.2; for 4.00 m		127.0007	1034
130	PTFE carbon core liner 2.0/4.0; wire electrode Ø 1.0-1.2; for 5.00 m		127.0008	1034
131	Nipple for core liner at Ø 4.0	20 Pcs.	131.0001	1095
132	O-Ring 3.5x1.5	20 Pcs.	165.0008	9010
133	Guide tube for core liners up to Ø 4.0 (200 mm)	10 Pcs.	129.0461	1095
140	Combined wire guide cpl. polyamide/brass; wire Ø 1.0-1.2; for 3.00 m		128.M002	1034
140	Combined wire guide cpl. polyamide/brass; wire Ø 1.0-1.2; for 4.00 m		128.M003	1034
140	Combined wire guide cpl. polyamide/brass; wire Ø 1.0-1.2; for 5.00 m		128.M004	1034
141	Brass spiral made up with sleeve (200 mm)	10 Pcs.	001.0305	1095
200	Spanner Standard	10 Pcs.	191.0001	9010

MIG/MAG Welding Torches MB EVO 240 D



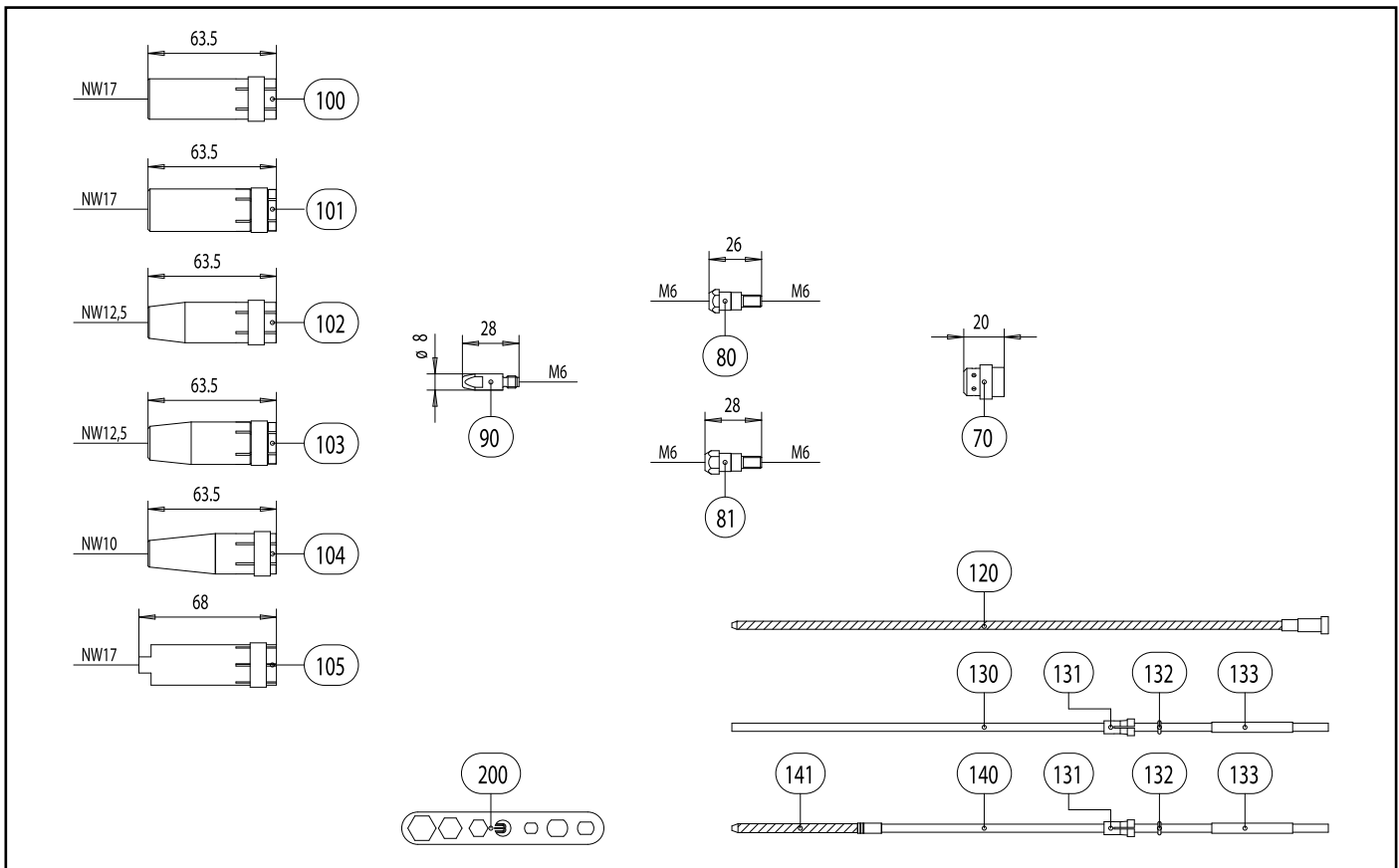
Pos.	Description	Details	Part-No.	Product group
Torch				
	MB EVO 240 D; central adaptor WZ-2; 3.00 m		023.0322.1	1064
	MB EVO 240 D; central adaptor WZ-2; 4.00 m		023.0323.1	1064
	MB EVO 240 D; central adaptor WZ-2; 5.00 m		023.0324.1	1064
Swan neck				
1	Swan neck MB EVO PRO 240 D; 50° bent		023.0316.1	1009
Handle MB EVO 2K				
10	Handle MB EVO 2K; 2-pole lc complete		180.0179.1	1095
10.1	Trigger ergonomic 2-pole; MB EVO PRO / MB EVO		185.0142.1	9010
Cable assembly				
40	Cable assembly MB EVO 3.00 m		022.0262.1	1095
40	Cable assembly MB EVO 4.00 m		022.0263.1	1095
40	Cable assembly MB EVO 5.00 m		022.0264.1	1095
41	Power cable PVC 3.00 m; MB EVO		115.0833.1	1012
41	Power cable PVC 4.00 m; MB EVO		115.0834.1	1012
41	Power cable PVC 5.00 m; MB EVO		115.0835.1	1012
42	Wire/gas conduit 3.00 m; MB EVO PRO / MB EVO		154.0017.1	1012
42	Wire/gas conduit 4.00 m; MB EVO PRO / MB EVO		154.0018.1	1012
42	Wire/gas conduit 5.00 m; MB EVO PRO / MB EVO		154.0019.1	1012
43	Control cable 2-pole	200 m	100.0019	4050
44	Trigger wire connector	20 Pcs.	175.0022	9010
45	Insulation hose	20 Pcs.	110.0043.20	1395
46	Male connector	20 Pcs.	175.0004	9010
47	Half ring D=37 black; MB EVO	2 Pcs.	400.D451.2	1595
48	Hose clamp D=9.5 infinitely variable; MB EVO PRO / MB EVO	20 Pcs.	173.0015.20	9010
49	Cable support sleeve PVC and FRH hose	10 Pcs.	500.0558.10	1395

MIG/MAG Welding Torches MB EVO 240 D



Pos.	Description	Details	Part-No.	Product group
50	Hose 47 blue Ø 5.5x1.5	100 m	109.0057	4050
50.3	Plug nipple ND 5 mm / Ø 6.0 mm	20 Pcs.	501.0114	9010
50.3	Hose clamp D=9.5 infinitely variable; MB EVO PRO / MB EVO	20 Pcs.	173.0015.20	9010
50.4	Fastener cap blue	20 Pcs.	501.2424	1095
50.5	Fastener cap red	20 Pcs.	501.2423	1095
51	Hose 46 red Ø 5.5x1.5 cpl. with plug nipple ND 5; 0.6 m		103.0114	1095
51	Hose 46 red Ø 5.5x1.5	100 m	109.0056	4050
53	Outer cover complete 3.00 m; MB EVO PRO / MB EVO		107.0109.1	1095
53	Outer cover complete 4.00 m; MB EVO PRO / MB EVO		107.0110.1	1095
53	Outer cover complete 5.00 m; MB EVO PRO / MB EVO		107.0111.1	1095
56	Connection housing lc complete; MB EVO PRO / MB EVO		501.2670.1	9010
56.1	Connecting set machine side cpl. for ND 29		501.2236	9010
56.1	Cable support spring		500.0233	9010
56.1	Biclip inside	10 Pcs.	400.0328	9010
56.1	Biclip outside	10 Pcs.	400.0329	9010
57	Pan head screw M4x6	20 Pcs.	000.0552	9010
57.1	Screw cap 1	20 Pcs.	500.0251	9010
58	Adaptor nut M33x2		500.0213	9010
59	Central adaptor WZ-2 / M12x1; MB EVO PRO / MB EVO		501.2677.1	9010
60	Coupling nut M10x1	10 Pcs.	501.D536	1595
61	O-Ring 4x1	20 Pcs.	165.0002	9010
62	Trigger wire connector; female	20 Pcs.	175.0003	9010
63	Insulating sleeve for central adapter	20 Pcs.	501.2609.20	1395
Wear parts				
70	Gas diffuser, white	10 Pcs.	012.0183	1032
70	Gas diffuser, silicone rubber	10 Pcs.	012.0243	1032

MIG/MAG Welding Torches MB EVO 240 D



Pos. Description

Details

Part-No.

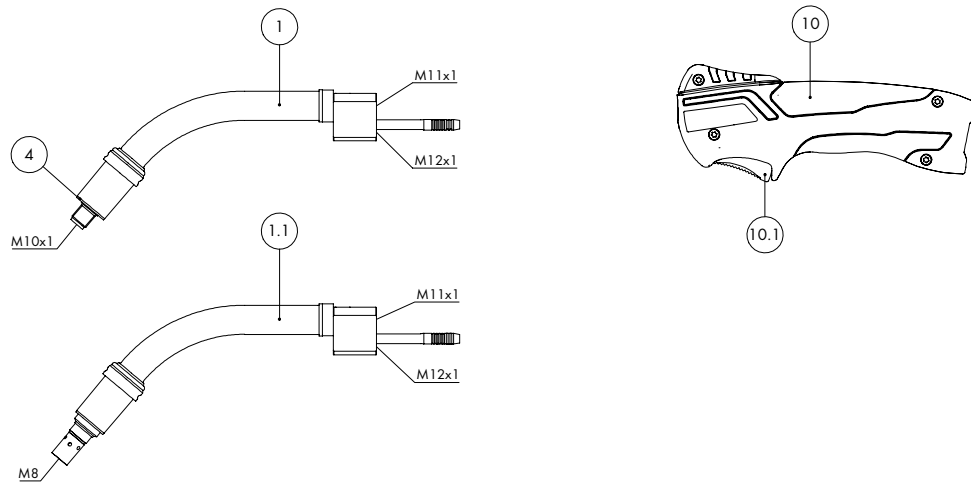
Product group

Pos.	Description	Details	Part-No.	Product group
80	Contact tip holder M6; 26.0 mm	10 Pcs.	142.0003	1033
81	Contact tip holder M6; 28.0 mm	10 Pcs.	142.0010	1033
90	Contact tip M6 E-Cu; Ø 0.8 (8x28)	10 Pcs.	140.0051	1030
90	Contact tip M6 E-Cu; Ø 1.0 (8x28)	10 Pcs.	140.0242	1030
90	Contact tip M6 E-Cu; Ø 1.2 (8x28)	10 Pcs.	140.0379	1030
90	Contact tip M6 CuCrZr; Ø 0.8 (8x28)	10 Pcs.	140.0054	1031
90	Contact tip M6 CuCrZr; Ø 1.0 (8x28)	10 Pcs.	140.0245	1031
90	Contact tip M6 CuCrZr; Ø 1.2 (8x28)	10 Pcs.	140.0382	1031
90	Contact tip M6 E-Cu; Ø 0.8 for alu wire (8x28)	10 Pcs.	141.0001	1030
90	Contact tip M6 E-Cu; Ø 1.0 for alu wire (8x28)	10 Pcs.	141.0006	1030
90	Contact tip M6 E-Cu; Ø 1.2 for alu wire (8x28)	10 Pcs.	141.0010	1030
90	Contact tip M6 CuCrZr silver-plated; Ø 0.8 (8x28)	10 Pcs.	147.0054	1031
90	Contact tip M6 CuCrZr silver-plated; Ø 1.0 (8x28)	10 Pcs.	147.0245	1031
90	Contact tip M6 CuCrZr silver-plated; Ø 1.2 (8x28)	10 Pcs.	147.0382	1031
100	Gas nozzle; cylindrical; ND Ø 17.0	10 Pcs.	145.0047	1036
101	Gas nozzle; cylindrical; heavy duty; ND Ø 17.0	10 Pcs.	145.0062	1036
102	Gas nozzle; conical; ND Ø 12.5	10 Pcs.	145.0080	1036
103	Gas nozzle; conical; heavy duty; ND Ø 12.5	10 Pcs.	145.0101	1036
104	Gas nozzle; tapered; ND Ø 10.0	10 Pcs.	145.0128	1036
105	Spot weld gas nozzle; ND Ø 17.0	10 Pcs.	145.0174	1036
120	Guide spiral liner insulated; 1.5/4.0; blue; for wire Ø 0.6-0.8; for 3.00 m		124.0137	1334
120	Guide spiral liner insulated; 1.5/4.0; blue; for wire Ø 0.6-0.8; for 4.00 m		124.0138	1334
120	Guide spiral liner insulated; 1.5/4.0; blue; for wire Ø 0.6-0.8; for 5.00 m		124.0139	1334
120	Guide spiral liner insulated; 2.0/4.5; red; for wire Ø 1.0-1.2; for 3.00 m		124.0111	1334
120	Guide spiral liner insulated; 2.0/4.5; red; for wire Ø 1.0-1.2; for 4.00 m		124.0112	1334
120	Guide spiral liner insulated; 2.0/4.5; red; for wire Ø 1.0-1.2; for 5.00 m		124.0113	1334

MIG/MAG Welding Torches MB EVO 240 D

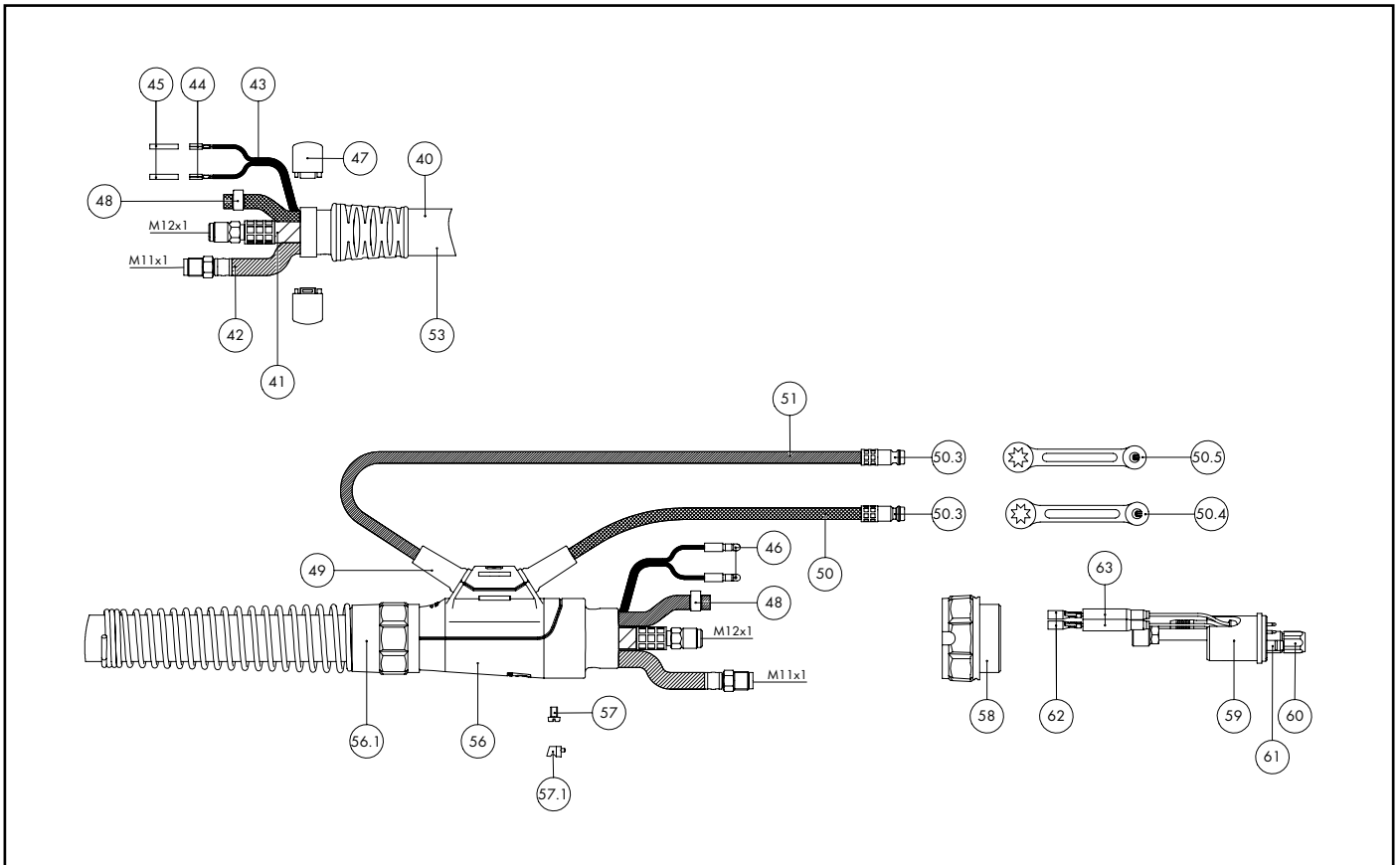
Pos.	Description	Details	Part-No.	Product group
130	PTFE core liner 1.5/4.0; blue; wire electrode Ø 0.8-1.0; for 3.00 m		126.0005	1034
130	PTFE core liner 1.5/4.0; blue; wire electrode Ø 0.8-1.0; for 4.00 m		126.0008	1034
130	PTFE core liner 1.5/4.0; blue; wire electrode Ø 0.8-1.0; for 5.00 m		126.0011	1034
130	PTFE core liner 2.0/4.0; red; wire electrode Ø 1.0-1.2; for 3.00 m		126.0021	1034
130	PTFE core liner 2.0/4.0; red; wire electrode Ø 1.0-1.2; for 4.00 m		126.0026	1034
130	PTFE core liner 2.0/4.0; red; wire electrode Ø 1.0-1.2; for 5.00 m		126.0028	1034
130	PTFE carbon core liner 1.5/4.0; wire electrode Ø 0.8-1.0; for 3.00 m		127.0002	1034
130	PTFE carbon core liner 1.5/4.0; wire electrode Ø 0.8-1.0; for 4.00 m		127.0003	1034
130	PTFE carbon core liner 1.5/4.0; wire electrode Ø 0.8-1.0; for 5.00 m		127.0004	1034
130	PTFE carbon core liner 2.0/4.0; wire electrode Ø 1.0-1.2; for 3.00 m		127.0005	1034
130	PTFE carbon core liner 2.0/4.0; wire electrode Ø 1.0-1.2; for 4.00 m		127.0007	1034
130	PTFE carbon core liner 2.0/4.0; wire electrode Ø 1.0-1.2; for 5.00 m		127.0008	1034
131	Nipple for core liner at Ø 4.0	20 Pcs.	131.0001	1095
132	O-Ring 3.5x1.5	20 Pcs.	165.0008	9010
133	Guide tube for core liners up to Ø 4.0 (200 mm)	10 Pcs.	129.0461	1095
140	Combined wire guide cpl. polyamide/brass; wire Ø 1.0-1.2; for 3.00 m		128.M002	1034
140	Combined wire guide cpl. polyamide/brass; wire Ø 1.0-1.2; for 4.00 m		128.M003	1034
140	Combined wire guide cpl. polyamide/brass; wire Ø 1.0-1.2; for 5.00 m		128.M004	1034
141	Brass spiral made up with sleeve (200 mm)	10 Pcs.	001.0305	1095
200	Spanner Standard	10 Pcs.	191.0001	9010

MIG/MAG Welding Torches MB EVO 401 / 401 D



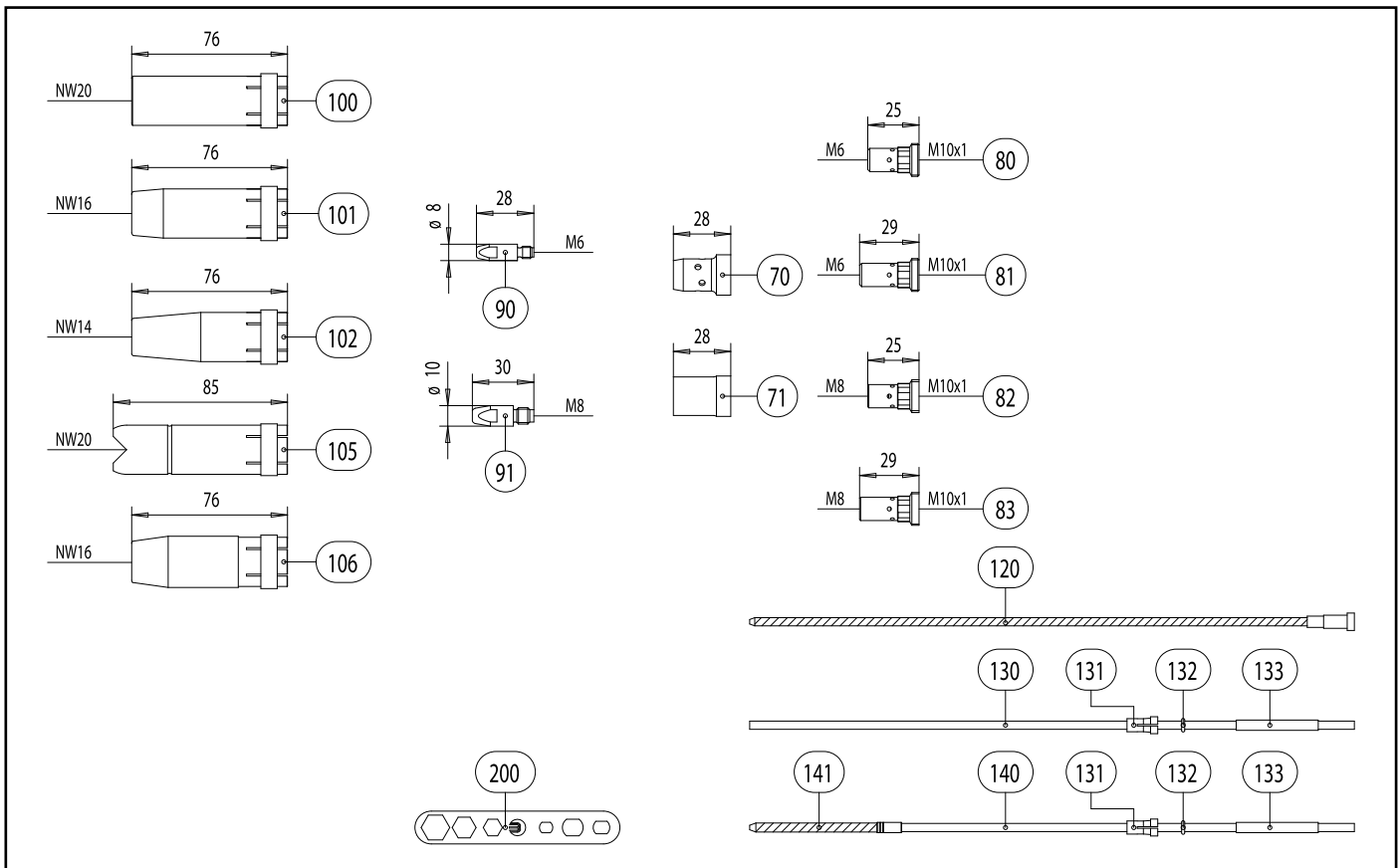
Pos.	Description	Details	Part-No.	Product group
Torch (D-Version)				
	MB EVO 401 D; central adaptor WZ-2; 3.00 m		033.0387.1	1064
	MB EVO 401 D; central adaptor WZ-2; 4.00 m		033.0388.1	1064
	MB EVO 401 D; central adaptor WZ-2; 5.00 m		033.0389.1	1064
Torch				
	MB EVO 401; central adaptor WZ-2; 3.00 m		030.0247.1	1064
	MB EVO 401; central adaptor WZ-2; 4.00 m		030.0248.1	1064
	MB EVO 401; central adaptor WZ-2; 5.00 m		030.0249.1	1064
Swan neck				
1	Swan neck MB EVO PRO 401 D; 50° bent		033.0378.1	1009
1.1	Swan neck MB EVO PRO 401; 50° bent		030.0242.1	1009
4	Insulator	20 Pcs.	030.0019	1095
Handle MB EVO 2K				
10	Handle MB EVO 2K; 2-pole lc complete		180.0179.1	1095
10.1	Trigger ergonomic 2-pole; MB EVO PRO / MB EVO		185.0142.1	9010
Cable assembly				
40	Cable assembly MB EVO 3.00 m		022.0262.1	1095
40	Cable assembly MB EVO 4.00 m		022.0263.1	1095
40	Cable assembly MB EVO 5.00 m		022.0264.1	1095
41	Power cable PVC 3.00 m; MB EVO		115.0833.1	1012
41	Power cable PVC 4.00 m; MB EVO		115.0834.1	1012
41	Power cable PVC 5.00 m; MB EVO		115.0835.1	1012
42	Wire/gas conduit 3.00 m; MB EVO PRO / MB EVO		154.0017.1	1012
42	Wire/gas conduit 4.00 m; MB EVO PRO / MB EVO		154.0018.1	1012
42	Wire/gas conduit 5.00 m; MB EVO PRO / MB EVO		154.0019.1	1012
43	Control cable 2-pole	200 m	100.0019	4050

MIG/MAG Welding Torches MB EVO 401 / 401 D



Pos.	Description	Details	Part-No.	Product group
44	Trigger wire connector	20 Pcs.	175.0022	9010
45	Insulation hose	20 Pcs.	110.0043.20	1395
46	Male connector	20 Pcs.	175.0004	9010
47	Half ring D=37 black; MB EVO	2 Pcs.	400.D451.2	1595
48	Hose clamp D=9.5 infinitely variable; MB EVO PRO / MB EVO	20 Pcs.	173.0015.20	9010
49	Cable support sleeve PVC and FRH hose	10 Pcs.	500.0558.10	1395
50	Hose 47 blue Ø 5.5x1.5	100 m	109.0057	4050
50.3	Plug nipple ND 5 mm / Ø 6.0 mm	20 Pcs.	501.0114	9010
50.3	Hose clamp D=9.5 infinitely variable; MB EVO PRO / MB EVO	20 Pcs.	173.0015.20	9010
50.4	Fastener cap blue	20 Pcs.	501.2424	1095
50.5	Fastener cap red	20 Pcs.	501.2423	1095
51	Hose 46 red Ø 5.5x1.5 cpl. with plug nipple ND 5; 0.6 m		103.0114	1095
51	Hose 46 red Ø 5.5x1.5	100 m	109.0056	4050
53	Outer cover complete 3.00 m; MB EVO PRO / MB EVO		107.0109.1	1095
53	Outer cover complete 4.00 m; MB EVO PRO / MB EVO		107.0110.1	1095
53	Outer cover complete 5.00 m; MB EVO PRO / MB EVO		107.0111.1	1095
56	Connection housing lc complete; MB EVO PRO / MB EVO		501.2670.1	9010
56.1	Connecting set machine side cpl. for ND 29		501.2236	9010
56.1	Cable support spring		500.0233	9010
56.1	Biclip inside	10 Pcs.	400.0328	9010
56.1	Biclip outside	10 Pcs.	400.0329	9010
57	Pan head screw M4x6	20 Pcs.	000.0552	9010
57.1	Screw cap 1	20 Pcs.	500.0251	9010
58	Adaptor nut M33x2		500.0213	9010
59	Central adaptor WZ-2 / M12x1; MB EVO PRO / MB EVO		501.2677.1	9010
60	Coupling nut M10x1	10 Pcs.	501.D536	1595

MIG/MAG Welding Torches MB EVO 401 / 401 D



Pos. Description

Details

Part-No.

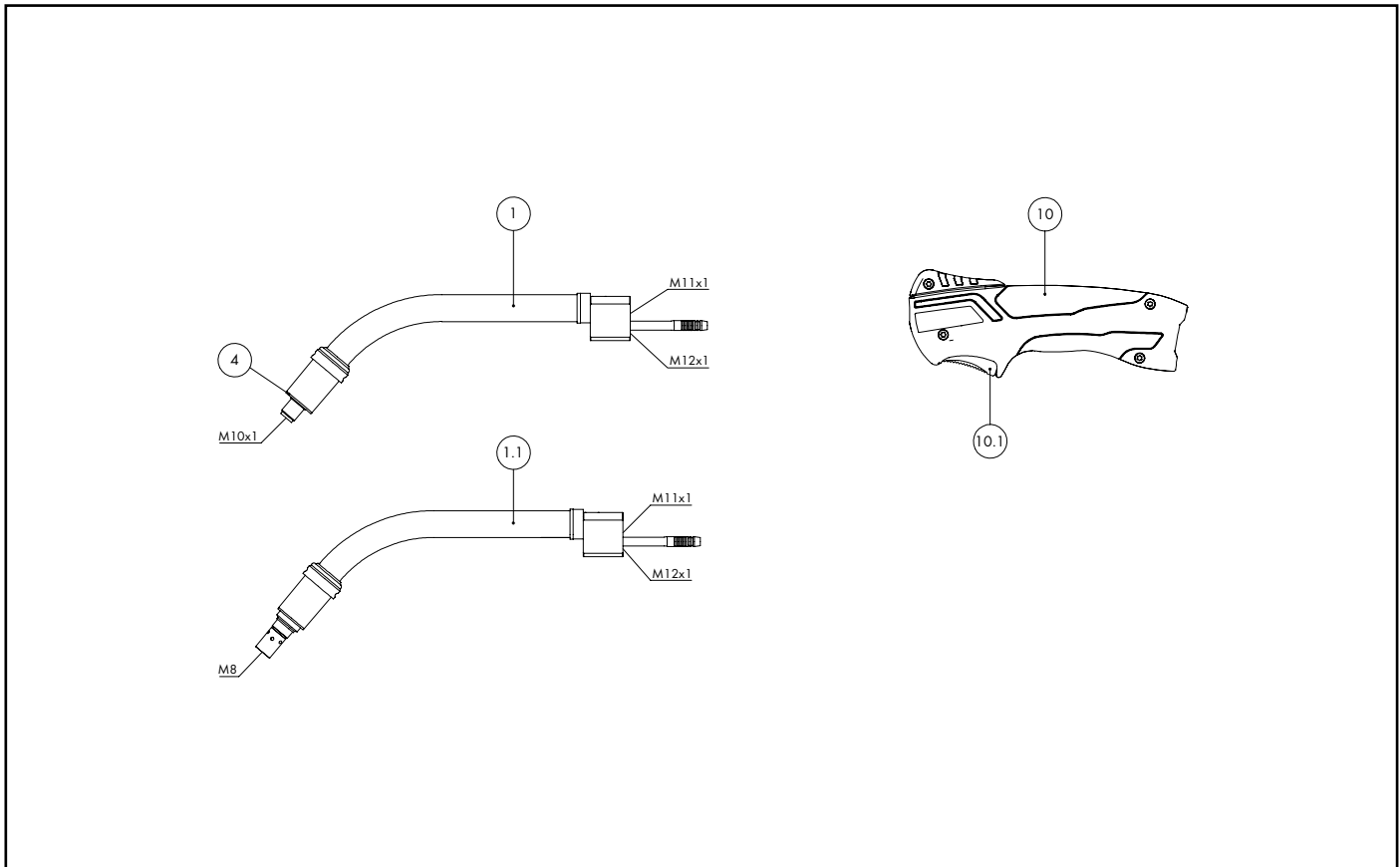
Product group

61	O-Ring 4x1	20 Pcs.	165.0002	9010
62	Trigger wire connector; female	20 Pcs.	175.0003	9010
63	Insulating sleeve for central adapter	20 Pcs.	501.2609.20	1395
Wear parts MB EVO 401 / 401 D				
70	Gas diffuser, white	10 Pcs.	030.0145	1032
70	Gas diffuser, long life	10 Pcs.	030.0037	1032
70	Gas diffuser, ceramic	10 Pcs.	030.0190	1032
71	Nozzle insulator	10 Pcs.	146.0013	1032
Wear parts MB EVO 401 D				
80	Contact tip holder M6; 25.0 mm (short)	10 Pcs.	142.0008	1033
Wear parts MB EVO 401 D				
81	Contact tip holder M6; 29.0 mm (long)	10 Pcs.	142.0013	1033
Wear parts MB EVO 401 D				
82	Contact tip holder M8; 25.0 mm (short)	10 Pcs.	142.0022	1033
	Contact tip holder M8; 27.0 mm; CuCrZr	10 Pcs.	142.0201.10	1033
83	Contact tip holder M8; 29.0 mm (long)	10 Pcs.	142.0027	1033
Wear parts MB EVO 401 / 401 D				
90	Contact tip M6 E-Cu; \varnothing 0.8 (8x28)	10 Pcs.	140.0051	1030
90	Contact tip M6 E-Cu; \varnothing 1.0 (8x28)	10 Pcs.	140.0242	1030
90	Contact tip M6 E-Cu; \varnothing 1.2 (8x28)	10 Pcs.	140.0379	1030
90	Contact tip M6 CuCrZr; \varnothing 0.8 (8x28)	10 Pcs.	140.0054	1031
90	Contact tip M6 CuCrZr; \varnothing 1.0 (8x28)	10 Pcs.	140.0245	1031
90	Contact tip M6 CuCrZr; \varnothing 1.2 (8x28)	10 Pcs.	140.0382	1031
90	Contact tip M6 E-Cu; \varnothing 0.8 for alu wire (8x28)	10 Pcs.	141.0001	1030
90	Contact tip M6 E-Cu; \varnothing 1.0 for alu wire (8x28)	10 Pcs.	141.0006	1030
90	Contact tip M6 E-Cu; \varnothing 1.2 for alu wire (8x28)	10 Pcs.	141.0010	1030

MIG/MAG Welding Torches MB EVO 401 / 401 D

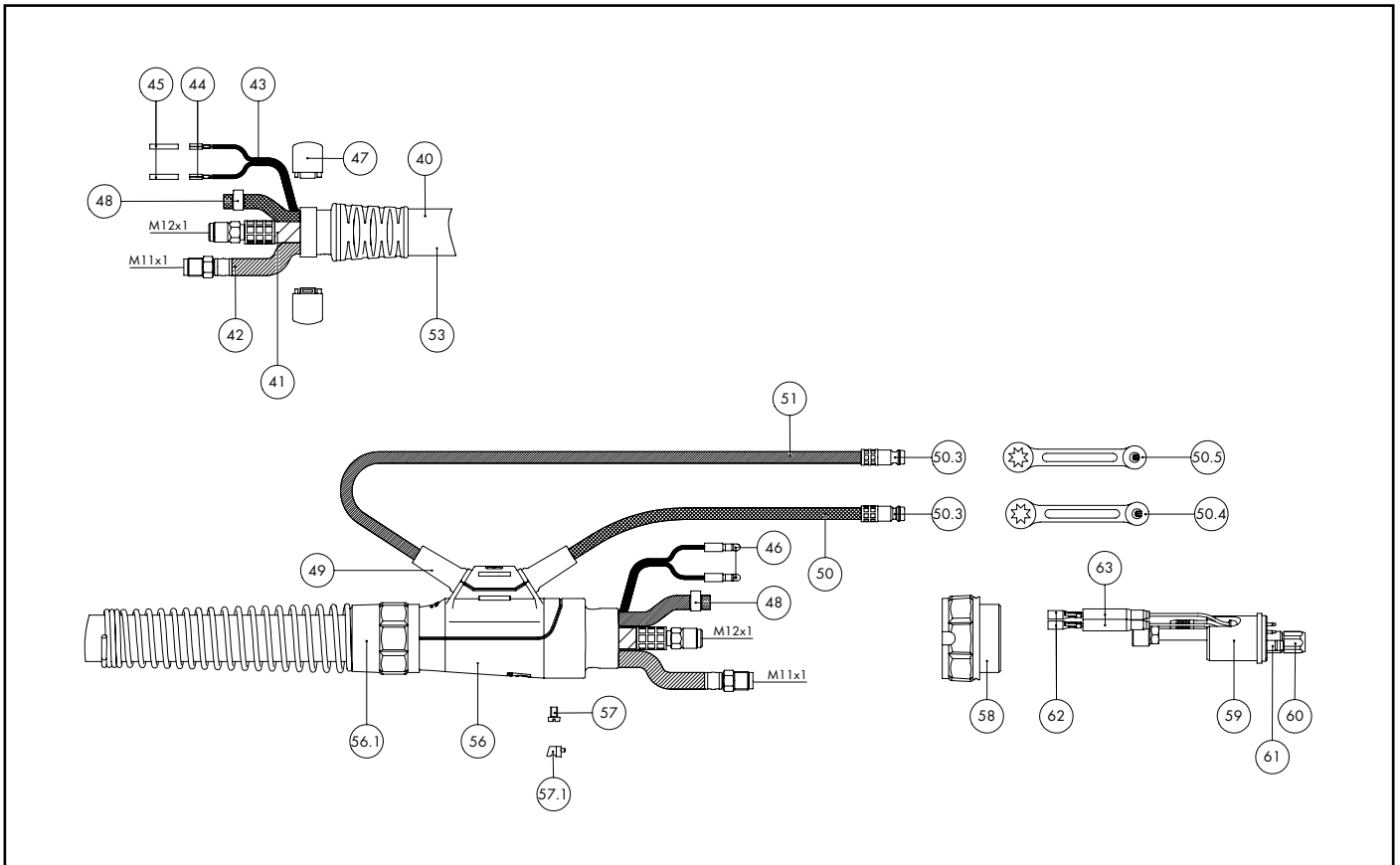
Pos.	Description	Details	Part-No.	Product group
90	Contact tip M6 CuCrZr silver-plated; Ø 0.8 (8x28)	10 Pcs.	147.0054	1031
90	Contact tip M6 CuCrZr silver-plated; Ø 1.0 (8x28)	10 Pcs.	147.0245	1031
90	Contact tip M6 CuCrZr silver-plated; Ø 1.2 (8x28)	10 Pcs.	147.0382	1031
91	Contact tip M8 E-Cu; Ø 0.8 (10x30)	10 Pcs.	140.0114	1030
91	Contact tip M8 E-Cu; Ø 1.0 (10x30)	10 Pcs.	140.0313	1030
91	Contact tip M8 E-Cu; Ø 1.2 (10x30)	10 Pcs.	140.0442	1030
91	Contact tip M8 CuCrZr; Ø 0.8 (10x30)	10 Pcs.	140.0117	1031
91	Contact tip M8 CuCrZr; Ø 1.0 (10x30)	10 Pcs.	140.0316	1031
91	Contact tip M8 CuCrZr; Ø 1.2 (10x30)	10 Pcs.	140.0445	1031
91	Contact tip M8 CuCrZr silver-plated; Ø 0.8 (10x30)	10 Pcs.	147.0117	1031
91	Contact tip M8 CuCrZr silver-plated; Ø 1.0 (10x30)	10 Pcs.	147.0316	1031
91	Contact tip M8 CuCrZr silver-plated; Ø 1.2 (10x30)	10 Pcs.	147.0445	1031
91	Contact tip M8 E-Cu; Ø 0.8 for alu wire (10x30)	10 Pcs.	141.0003	1030
91	Contact tip M8 E-Cu; Ø 1.0 for alu wire (10x30)	10 Pcs.	141.0008	1030
91	Contact tip M8 E-Cu; Ø 1.2 for alu wire (10x30)	10 Pcs.	141.0015	1030
100	Gas nozzle; cylindrical; ND Ø 20.0	10 Pcs.	145.0051	1037
101	Gas nozzle; conical; ND Ø 16.0	10 Pcs.	145.0085	1037
102	Gas nozzle; tapered; ND Ø 14.0	10 Pcs.	145.0132	1037
105	Spot weld gas nozzle; ND Ø 20.0	10 Pcs.	145.0179	1037
106	Gas nozzle; heavy duty; ND Ø 16.0 (only use with nozzle insulator)	10 Pcs.	145.0086	1037
120	Guide spiral liner insulated; 1.5/4.0; blue; for wire Ø 0.6–0.8; for 3.00 m		124.0137	1334
120	Guide spiral liner insulated; 1.5/4.0; blue; for wire Ø 0.6–0.8; for 4.00 m		124.0138	1334
120	Guide spiral liner insulated; 1.5/4.0; blue; for wire Ø 0.6–0.8; for 5.00 m		124.0139	1334
120	Guide spiral liner insulated; 2.0/4.5; red; for wire Ø 1.0–1.2; for 3.00 m		124.0111	1334
120	Guide spiral liner insulated; 2.0/4.5; red; for wire Ø 1.0–1.2; for 4.00 m		124.0112	1334
120	Guide spiral liner insulated; 2.0/4.5; red; for wire Ø 1.0–1.2; for 5.00 m		124.0113	1334
130	PTFE core liner 1.5/4.0; blue; wire electrode Ø 0.8–1.0; for 3.00 m		126.0005	1034
130	PTFE core liner 1.5/4.0; blue; wire electrode Ø 0.8–1.0; for 4.00 m		126.0008	1034
130	PTFE core liner 1.5/4.0; blue; wire electrode Ø 0.8–1.0; for 5.00 m		126.0011	1034
130	PTFE core liner 2.0/4.0; red; wire electrode Ø 1.0–1.2; for 3.00 m		126.0021	1034
130	PTFE core liner 2.0/4.0; red; wire electrode Ø 1.0–1.2; for 4.00 m		126.0026	1034
130	PTFE core liner 2.0/4.0; red; wire electrode Ø 1.0–1.2; for 5.00 m		126.0028	1034
130	PTFE carbon core liner 1.5/4.0; wire electrode Ø 0.8–1.0; for 3.00 m		127.0002	1034
130	PTFE carbon core liner 1.5/4.0; wire electrode Ø 0.8–1.0; for 4.00 m		127.0003	1034
130	PTFE carbon core liner 1.5/4.0; wire electrode Ø 0.8–1.0; for 5.00 m		127.0004	1034
130	PTFE carbon core liner 2.0/4.0; wire electrode Ø 1.0–1.2; for 3.00 m		127.0005	1034
130	PTFE carbon core liner 2.0/4.0; wire electrode Ø 1.0–1.2; for 4.00 m		127.0007	1034
130	PTFE carbon core liner 2.0/4.0; wire electrode Ø 1.0–1.2; for 5.00 m		127.0008	1034
131	Nipple for core liner at Ø 4.0	20 Pcs.	131.0001	1095
132	O-Ring 3.5x1.5	20 Pcs.	165.0008	9010
133	Guide tube for core liners up to Ø 4.0 (200 mm)	10 Pcs.	129.0461	1095
140	Combined wire guide cpl. polyamide/brass; wire Ø 1.0–1.2; for 3.00 m		128.M002	1034
140	Combined wire guide cpl. polyamide/brass; wire Ø 1.0–1.2; for 4.00 m		128.M003	1034
140	Combined wire guide cpl. polyamide/brass; wire Ø 1.0–1.2; for 5.00 m		128.M004	1034
141	Brass spiral made up with sleeve (200 mm)	10 Pcs.	001.0305	1095
200	Spanner Standard	10 Pcs.	191.0001	9010

MIG/MAG Welding Torches MB EVO 501 / 501 D



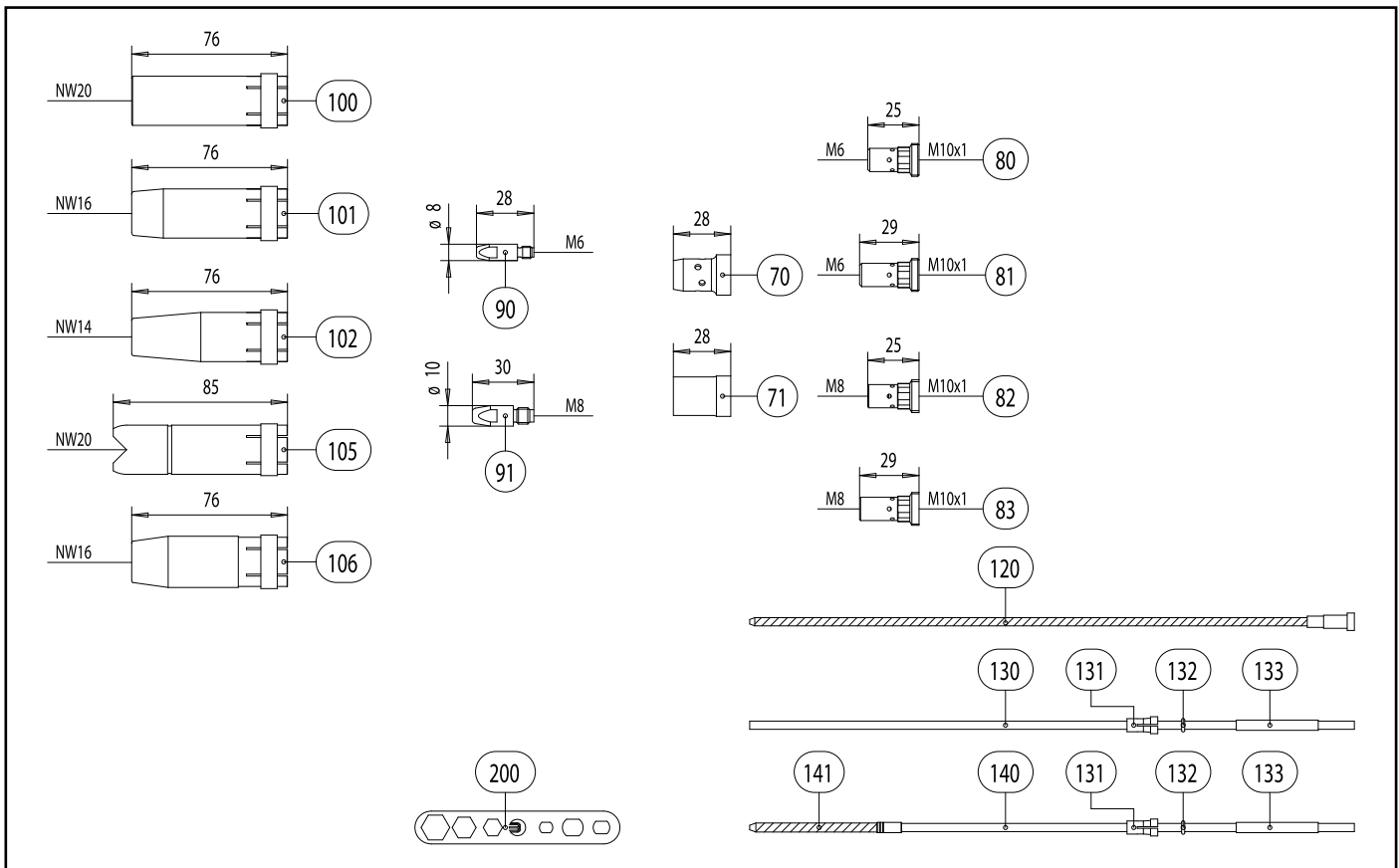
Pos.	Description	Details	Part-No.	Product group
Torch (D-Version)				
	MB EVO 501 D; central adaptor WZ-2; 3.00 m		034.0865.1	1064
	MB EVO 501 D; central adaptor WZ-2; 4.00 m		034.0866.1	1064
	MB EVO 501 D; central adaptor WZ-2; 5.00 m		034.0867.1	1064
Torch				
	MB EVO 501; central adaptor WZ-2; 3.00 m		032.0272.1	1064
	MB EVO 501; central adaptor WZ-2; 4.00 m		032.0273.1	1064
	MB EVO 501; central adaptor WZ-2; 5.00 m		032.0274.1	1064
Swan neck				
1	Swan neck MB EVO PRO 501 D; 50° bent		034.0856.1	1009
1.1	Swan neck MB EVO PRO 501; 50° bent		032.0267.1	1009
4	Insulator	20 Pcs.	030.0019	1095
Handle MB EVO 2K				
10	Handle MB EVO 2K; 2-pole lc complete		180.0179.1	1095
10.1	Trigger ergonomic 2-pole; MB EVO PRO / MB EVO		185.0142.1	9010
Cable assembly				
40	Cable assembly MB EVO 3.00 m		022.0262.1	1095
40	Cable assembly MB EVO 4.00 m		022.0263.1	1095
40	Cable assembly MB EVO 5.00 m		022.0264.1	1095
41	Power cable PVC 3.00 m; MB EVO		115.0833.1	1012
41	Power cable PVC 4.00 m; MB EVO		115.0834.1	1012
41	Power cable PVC 5.00 m; MB EVO		115.0835.1	1012
42	Wire/gas conduit 3.00 m; MB EVO PRO / MB EVO		154.0017.1	1012
42	Wire/gas conduit 4.00 m; MB EVO PRO / MB EVO		154.0018.1	1012
42	Wire/gas conduit 5.00 m; MB EVO PRO / MB EVO		154.0019.1	1012
43	Control cable 2-pole	200 m	100.0019	4050

MIG/MAG Welding Torches MB EVO 501 / 501 D



Pos.	Description	Details	Part-No.	Product group
44	Trigger wire connector	20 Pcs.	175.0022	9010
45	Insulation hose	20 Pcs.	110.0043.20	1395
46	Male connector	20 Pcs.	175.0004	9010
47	Half ring D=37 black; MB EVO	2 Pcs.	400.D451.2	1595
48	Hose clamp D=9.5 infinitely variable; MB EVO PRO / MB EVO	20 Pcs.	173.0015.20	9010
49	Cable support sleeve PVC and FRH hose	10 Pcs.	500.0558.10	1395
50	Hose 47 blue Ø 5.5x1.5	100 m	109.0057	4050
50.3	Plug nipple ND 5 mm / Ø 6.0 mm	20 Pcs.	501.0114	9010
50.3	Hose clamp D=9.5 infinitely variable; MB EVO PRO / MB EVO	20 Pcs.	173.0015.20	9010
50.4	Fastener cap blue	20 Pcs.	501.2424	1095
50.5	Fastener cap red	20 Pcs.	501.2423	1095
51	Hose 46 red Ø 5.5x1.5 cpl. with plug nipple ND 5; 0.6 m		103.0114	1095
51	Hose 46 red Ø 5.5x1.5	100 m	109.0056	4050
53	Outer cover complete 3.00 m; MB EVO PRO / MB EVO		107.0109.1	1095
53	Outer cover complete 4.00 m; MB EVO PRO / MB EVO		107.0110.1	1095
53	Outer cover complete 5.00 m; MB EVO PRO / MB EVO		107.0111.1	1095
56	Connection housing lc complete; MB EVO PRO / MB EVO		501.2670.1	9010
56.1	Connecting set machine side cpl. for ND 29		501.2236	9010
56.1	Cable support spring		500.0233	9010
56.1	Biclip inside	10 Pcs.	400.0328	9010
56.1	Biclip outside	10 Pcs.	400.0329	9010
57	Pan head screw M4x6	20 Pcs.	000.0552	9010
57.1	Screw cap 1	20 Pcs.	500.0251	9010
58	Adaptor nut M33x2		500.0213	9010
59	Central adaptor WZ-2 / M12x1; MB EVO PRO / MB EVO		501.2677.1	9010
60	Coupling nut M10x1	10 Pcs.	501.D536	1595

MIG/MAG Welding Torches MB EVO 501 / 501 D

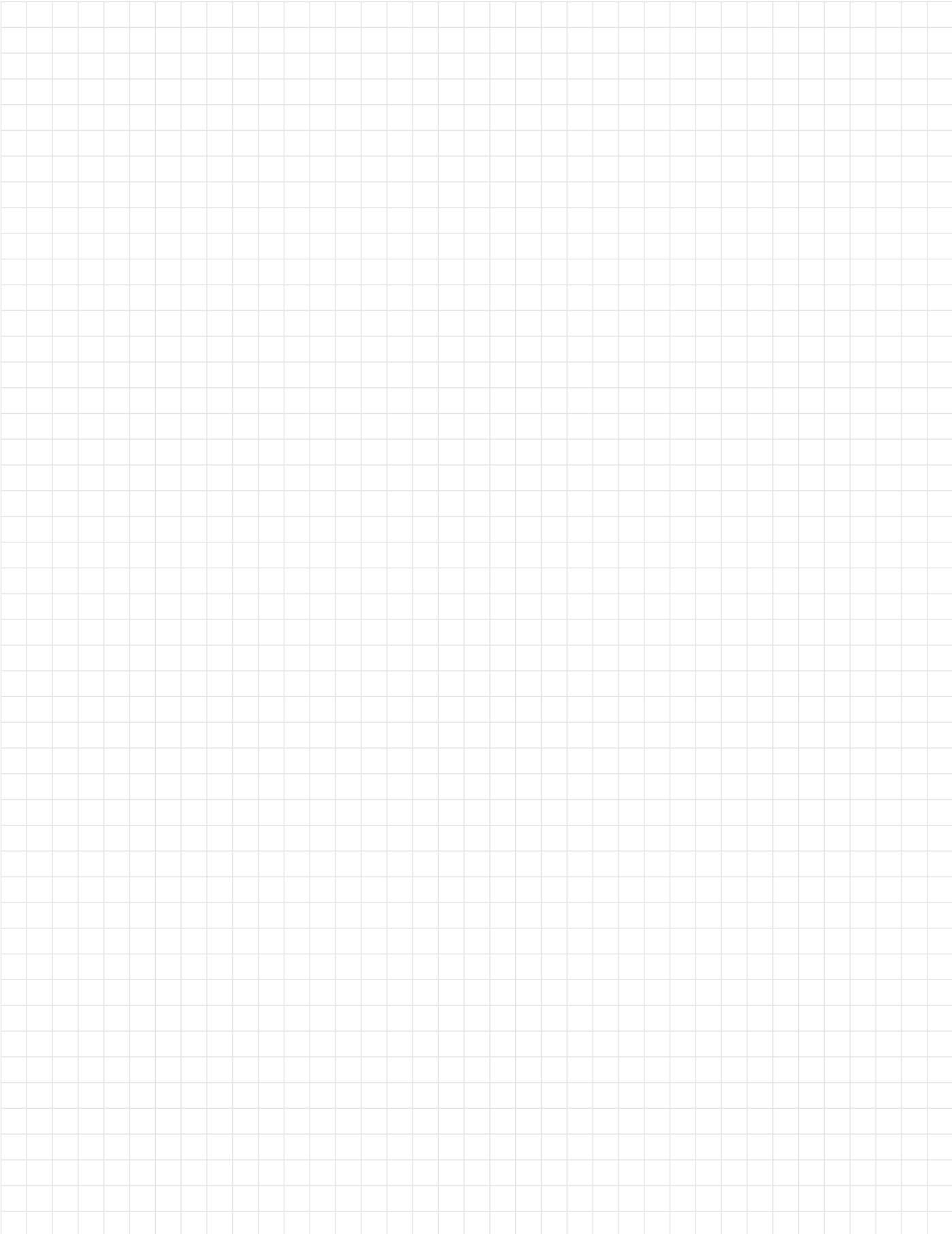


Pos. Description

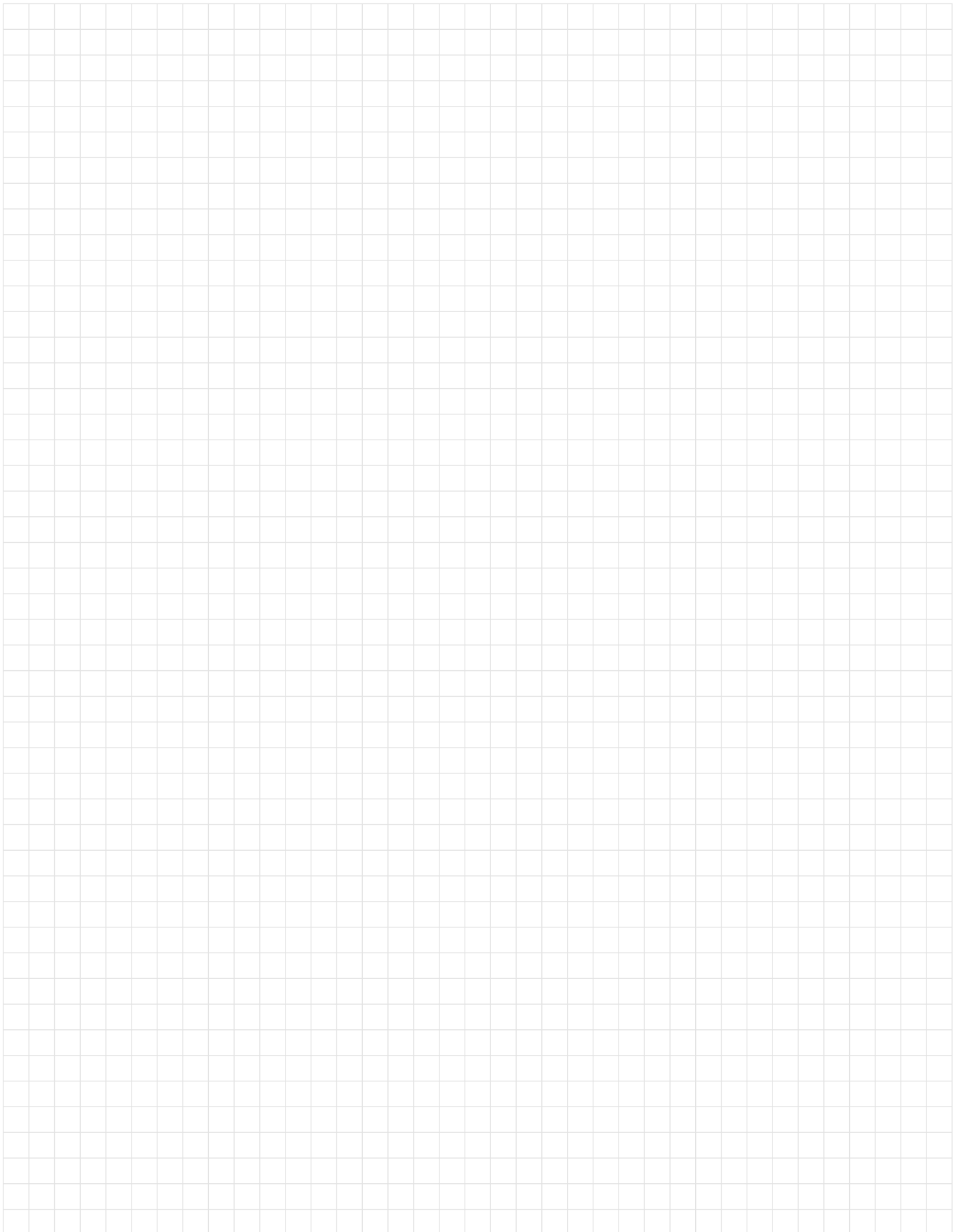
Pos.	Description	Details	Part-No.	Product group
61	O-Ring 4x1	20 Pcs.	165.0002	9010
62	Trigger wire connector; female	20 Pcs.	175.0003	9010
63	Insulating sleeve for central adapter	20 Pcs.	501.2609.20	1395
Wear parts MB EVO 501 / 501 D				
70	Gas diffuser, white	10 Pcs.	030.0145	1032
70	Gas diffuser, long life	10 Pcs.	030.0037	1032
70	Gas diffuser, ceramic	10 Pcs.	030.0190	1032
71	Nozzle insulator	10 Pcs.	146.0013	1032
Wear parts MB EVO 501 D				
80	Contact tip holder M6; 25.0 mm (short)	10 Pcs.	142.0008	1033
81	Contact tip holder M6; 29.0 mm (long)	10 Pcs.	142.0013	1033
82	Contact tip holder M8; 25.0 mm (short)	10 Pcs.	142.0022	1033
	Contact tip holder M8; 27.0 mm; CuCrZr	10 Pcs.	142.0201.10	1033
83	Contact tip holder M8; 29.0 mm (long)	10 Pcs.	142.0027	1033
Wear parts MB EVO 501 / 501 D				
90	Contact tip M6 E-Cu; Ø 1.0 (8x28)	10 Pcs.	140.0242	1030
90	Contact tip M6 E-Cu; Ø 1.2 (8x28)	10 Pcs.	140.0379	1030
90	Contact tip M6 E-Cu; Ø 1.6 (8x28)	10 Pcs.	140.0555	1030
90	Contact tip M6 CuCrZr; Ø 1.0 (8x28)	10 Pcs.	140.0245	1031
90	Contact tip M6 CuCrZr; Ø 1.2 (8x28)	10 Pcs.	140.0382	1031
90	Contact tip M6 CuCrZr; Ø 1.6 (8x28)	10 Pcs.	140.0558	1031
90	Contact tip M6 E-Cu; Ø 1.0 for alu wire (8x28)	10 Pcs.	141.0006	1030
90	Contact tip M6 E-Cu; Ø 1.2 for alu wire (8x28)	10 Pcs.	141.0010	1030
90	Contact tip M6 E-Cu; Ø 1.6 for alu wire (8x28)	10 Pcs.	141.0020	1030
90	Contact tip M6 CuCrZr silver-plated; Ø 1.0 (8x28)	10 Pcs.	147.0245	1031
90	Contact tip M6 CuCrZr silver-plated; Ø 1.2 (8x28)	10 Pcs.	147.0382	1031

MIG/MAG Welding Torches MB EVO 501 / 501 D

Pos.	Description	Details	Part-No.	Product group
91	Contact tip M8 E-Cu; Ø 1.0 (10x30)	10 Pcs.	140.0313	1030
91	Contact tip M8 E-Cu; Ø 1.2 (10x30)	10 Pcs.	140.0442	1030
91	Contact tip M8 E-Cu; Ø 1.6 (10x30)	10 Pcs.	140.0587	1030
91	Contact tip M8 CuCrZr; Ø 1.0 (10x30)	10 Pcs.	140.0316	1031
91	Contact tip M8 CuCrZr; Ø 1.2 (10x30)	10 Pcs.	140.0445	1031
91	Contact tip M8 CuCrZr; Ø 1.6 (10x30)	10 Pcs.	140.0590	1031
91	Contact tip M8 CuCrZr silver-plated; Ø 1.0 (10x30)	10 Pcs.	147.0316	1031
91	Contact tip M8 CuCrZr silver-plated; Ø 1.2 (10x30)	10 Pcs.	147.0445	1031
91	Contact tip M8 CuCrZr silver-plated; Ø 1.6 (10x30)	10 Pcs.	147.0590	1031
91	Contact tip M8 E-Cu; Ø 1.0 for alu wire (10x30)	10 Pcs.	141.0008	1030
91	Contact tip M8 E-Cu; Ø 1.2 for alu wire (10x30)	10 Pcs.	141.0015	1030
91	Contact tip M8 E-Cu; Ø 1.6 for alu wire (10x30)	10 Pcs.	141.0022	1030
100	Gas nozzle; cylindrical; ND Ø 20.0	10 Pcs.	145.0051	1037
101	Gas nozzle; conical; ND Ø 16.0	10 Pcs.	145.0085	1037
102	Gas nozzle; tapered; ND Ø 14.0	10 Pcs.	145.0132	1037
105	Spot weld gas nozzle; ND Ø 20.0	10 Pcs.	145.0179	1037
106	Gas nozzle; heavy duty; ND Ø 16.0 (only use with nozzle insulator)	10 Pcs.	145.0086	1037
120	Guide spiral liner insulated; 2.0/4.5; red; for wire Ø 1.0-1.2; for 3.00 m		124.0111	1334
120	Guide spiral liner insulated; 2.0/4.5; red; for wire Ø 1.0-1.2; for 4.00 m		124.0112	1334
120	Guide spiral liner insulated; 2.0/4.5; red; for wire Ø 1.0-1.2; for 5.00 m		124.0113	1334
120	Guide spiral liner insulated; 2.5/4.5; yellow; for wire Ø 1.6; for 3.00 m		124.0114	1334
120	Guide spiral liner insulated; 2.5/4.5; yellow; for wire Ø 1.6; for 4.00 m		124.0115	1334
120	Guide spiral liner insulated; 2.5/4.5; yellow; for wire Ø 1.6; for 5.00 m		124.0116	1334
130	PTFE core liner 1.5/4.0; blue; wire electrode Ø 0.8-1.0; for 3.00 m		126.0005	1034
130	PTFE core liner 1.5/4.0; blue; wire electrode Ø 0.8-1.0; for 4.00 m		126.0008	1034
130	PTFE core liner 1.5/4.0; blue; wire electrode Ø 0.8-1.0; for 5.00 m		126.0011	1034
130	PTFE core liner 2.0/4.0; red; wire electrode Ø 1.0-1.2; for 3.00 m		126.0021	1034
130	PTFE core liner 2.0/4.0; red; wire electrode Ø 1.0-1.2; for 4.00 m		126.0026	1034
130	PTFE core liner 2.0/4.0; red; wire electrode Ø 1.0-1.2; for 5.00 m		126.0028	1034
130	PTFE core liner 2.7/4.7; yellow; wire electrode Ø 1.6; for 3.00 m		126.0039	1034
130	PTFE core liner 2.7/4.7; yellow; wire electrode Ø 1.6; for 4.00 m		126.0042	1034
130	PTFE core liner 2.7/4.7; yellow; wire electrode Ø 1.6; for 5.00 m		126.0045	1034
130	PTFE carbon core liner 1.5/4.0; wire electrode Ø 0.8-1.0; for 3.00 m		127.0002	1034
130	PTFE carbon core liner 1.5/4.0; wire electrode Ø 0.8-1.0; for 4.00 m		127.0003	1034
130	PTFE carbon core liner 1.5/4.0; wire electrode Ø 0.8-1.0; for 5.00 m		127.0004	1034
130	PTFE carbon core liner 2.0/4.0; wire electrode Ø 1.0-1.2; for 3.00 m		127.0005	1034
130	PTFE carbon core liner 2.0/4.0; wire electrode Ø 1.0-1.2; for 4.00 m		127.0007	1034
130	PTFE carbon core liner 2.0/4.0; wire electrode Ø 1.0-1.2; for 5.00 m		127.0008	1034
130	PTFE carbon core liner 2.7/4.7; wire electrode Ø 1.6; for 3.00 m		127.0010	1034
130	PTFE carbon core liner 2.7/4.7; wire electrode Ø 1.6; for 4.00 m		127.0012	1034
130	PTFE carbon core liner 2.7/4.7; wire electrode Ø 1.6; for 5.00 m		127.0013	1034
131	Nipple for core liner at Ø 4.0	20 Pcs.	131.0001	1095
131	Nipple for core liner at Ø 4.7	20 Pcs.	131.0002	1095
132	O-Ring 3.5x1.5	20 Pcs.	165.0008	9010
133	Guide tube for core liners up to Ø 4.0 (200 mm)	10 Pcs.	129.0461	1095
140	Combined wire guide cpl. polyamide/brass; wire Ø 1.0-1.2; for 3.00 m		128.M002	1034
140	Combined wire guide cpl. polyamide/brass; wire Ø 1.0-1.2; for 4.00 m		128.M003	1034
140	Combined wire guide cpl. polyamide/brass; wire Ø 1.0-1.2; for 5.00 m		128.M004	1034
141	Brass spiral made up with sleeve (200 mm)	10 Pcs.	001.0305	1095
200	Spanner Standard	10 Pcs.	191.0001	9010



Notes



Standard Terms and Conditions of Deliveries and Services

(Terms and Conditions of Sale) of Alexander Binzel Schweistechnik GmbH & Co. KG

§ 1 Validity of the Terms and Conditions of Business

- 1.1** All our deliveries, services and tenders take place exclusively on the basis of these Standard Terms and Conditions of Deliveries and Services Payment (hereinafter called "these business conditions"). These business conditions are an element of all agreements that we conclude with our contractual partners (hereinafter called "customers").
- 1.2** The customer's Standard Terms and Conditions of Business do not apply, even if we do not contradict their validity in individual cases. Neither does reference to a letter that contains the customer's or a third party's Standard Terms and Conditions of Business, or refers to such, constitute an agreement with the validity of the aforesaid Standard Terms and Conditions of Business. They also do not become a contractual element through conclusive actions, such as the production of a performance by us.
- 1.3** The business conditions apply to all agreements on deliveries and services on our part, as well as all peripheral services. These business conditions are valid for all future deliveries and services on our part even without a separate agreement of inclusion.

§ 2 Tender and conclusion of the agreement

- 2.1** Insofar as our tenders are marked expressly as being subject to change, we can also revoke these immediately after receipt of acceptance by the customer.
- 2.2** The customer does not acquire any copyright in any tenders or cost estimates submitted by us, nor to any drawings, illustrations, calculations, descriptions, models, tools and other documents and material resources made available to him. This also applies to those materials and documents mentioned that are expressly labelled "confidential" or whose confidential character arises from the circumstances. The passing on of the abovementioned materials and documents to third parties requires at any rate our permission. The customer must ensure this by appropriate agreements with his employees or any other persons who work with knowledge and consent in his area of responsibilities. The abovementioned materials and documents must be returned immediately at the customer's expense, if an agreement does not come into being or they are no longer required for further contractual implementation.

§ 3 Prices

- 3.1** Unless otherwise stated in the order confirmation, our prices are valid "ex Works", excluding packaging; this will be charged separately.
- 3.2** Legal value-added tax is not included in our prices. It is shown separately in the invoice in the amount legally prescribed on the day of invoicing. In the case of foreign transactions, the value-added tax no longer applies; however, the recipient must pay the taxes and fees incurred for the transfer into the recipient's country, especially customs duties and the additional legal taxes or charges incurred in the recipient's country itself.
- 3.3** The deduction of a discount for cash requires a separate agreement. The customer's Standard Terms and Conditions of Business, which call for the deduction of a cash discount, do not apply.

§ 4 Implementation of the deliveries and services, delivery and service times

- 4.1** Unless otherwise agreed, the delivery takes place "ex Works".
- 4.2** The start of the delivery or service time stated by us presupposes the clarification of all technical issues.
- 4.3** Furthermore, the observance of our delivery and service obligations presupposes the customer's punctual and proper performance. We are fully entitled to the plea of non-performance.
- 4.4** If the person ordering is in default of taking delivery or infringes any other duties to cooperate, we are entitled to request replacement of any loss incurred by us in this respect, including any additional expenditure. More extensive claims remain unaffected.
- 4.5** Insofar as the conditions of § 4 (4) are met, the risk of accidental loss or unintentional deterioration of the object to be delivered passes to the customer at that point in time, when he has fallen into default of taking delivery.
- 4.6** If it has been agreed with the customer that our delivery or service does not have to take place at a fixed time, but within a certain period, we are entitled to deliver or produce our performance before the expiration of the period also. If a fixed date has been agreed with the customer, we are entitled to premature delivery or production of the performance, after having given the customer reasonable notice of this before delivery or production of the performance. This does not apply, if the delivery can only take place on the agreed date for reasons discernible for us.
- 4.7** Unless otherwise agreed, the customer, in the case of agreements that entitle him to request partial deliveries from a total quantity of goods, is obligated to give us punctual requests and assortment plans for approximate identical monthly quantities. If the customer does not request delivery punctually or does not plan in good time, we are entitled to take over the planning ourselves and to deliver the goods after a reasonable extended deadline has passed fruitlessly. If the customer fails to request delivery at all or in good time or fails to plan at all or in good time we are entitled to withdraw from the entire agreement after prior warning. Any compensation claims to which we are legally entitled remain at any rate unaffected.
- 4.8** With regard to order for goods to be delivered on demand according to § 4 (7) of these business conditions, we are entitled, unless otherwise agreed, to procure the material for the entire order and to manufacture the entire quantity ordered immediately. Requests from the customer for changes can no longer be taken into consideration after the order has been placed.
- 4.9** Increased or short deliveries are permissible in accordance with ordinary trade usage.

§ 5 Delays in delivery

- 5.1** Stoppages caused by force majeure, strikes for which we are not responsible or lock-outs or a lack of operating and/or raw materials entitle us, to withdraw from the not yet fulfilled agreement, if the abovementioned circumstances make delivery or performance impossible not only temporarily and in addition were not discernible on conclusion of the agreement.
- 5.2** If we are in delay with a delivery or service or if a delivery or service becomes impossible for us, the customer's claim for compensation is restricted subject to § 9 of these business conditions.

§ 6 Place of performance, shipment, packaging, passing of the risk

- 6.1** The place of performance for all obligations from the contractual relationship with the customer is Buseck/Alten-Buseck.
- 6.2** Unless otherwise agreed, we will select the most economical packaging known to us and the most economical type of shipment known to us.
- 6.3** Unless otherwise agreed, the risk passes to the customer at the latest with the handover of the delivered objects to the shipping contractor, carrier or other company appointed with the implementation of the consignment. § 4 (4) remains unaffected.
- 6.4** The shipment will only be insured by us against theft, breakage, damage during transport, fire and water damage or any other insurable risks at the express written request of the customer and at his expense.
- 6.5** We will only take back packaging in our storehouses (return depots). The customer pays the costs of transporting the packaging to the respective return depot. If packaging different from the standard packaging (special packaging) is used at the customer's request, the customer is obliged to recycle or dispose of this at his own expense.

§ 7 Customer's claims in case of defects or incomplete deliveries and services

- 7.1** The objects delivered by us must be carefully examined immediately after delivery to the customer or to the third party appointed by him. They are considered approved, if a complaint, that could have been discovered on careful examination, is not reported in writing within three days after receipt of the goods, the date of sending the complaint to us being decisive. If the defect was not noticeable by careful examination, the obligation to report the complaint immediately in writing is valid from the time of discovery.

- 7.2** If a delivery or service defect exists, for which we are responsible, we are obliged, at our option, to remedy the defect or deliver a replacement. In the case of remedying the defect, we are obliged to pay all costs required to remedy the defect, in particular transport, labour and material costs, unless these are increased by the fact that the purchased object was taken to a different location than the original place of consignment. This does not apply, if transporting the delivered object to another location corresponds to its agreed use.

If we select subsequent performance in the form of replacement, the delivered objects with failures must be sent back to us carriage paid, whereby the customer is obliged to select the most economical type of shipment.

- 7.3** The limitation period for claims based on quality defects. The warranty period amounts to one year and begins with the time of delivery to the customer or to a third party appointed by the customer.
- 7.4** The delivery of used objects takes place excluding any warranty whatsoever.

§ 8 Purchase of consumer goods

§ 7 (3) does not apply, if the newly manufactured objects delivered by us are sold to consumers, also within the context of a chain of suppliers.

§ 9 Compensatory damages

- 9.1** We are only liable - regardless of for which legal reason - for the wilful and gross negligent conduct of our agencies and vicarious agents as well as - without regard to the degree of culpability - for damages from injury to life, body or health.
- 9.2** We are also responsible for slight negligence by our agencies and vicarious agents in the event of delay in performance or infringement of any other cardinal duty. In such a case our liability is restricted to damage that has to be reasonably expected when concluding such an agreement.
- 9.3** All limitations of liability also apply in the event that the infringement of contractual duties simultaneously represents an actionable tort.

§ 10 Reservation of ownership

- 10.1** We retain the right to ownership of the delivered object until all payments from the delivery agreement have been received. In the event of breach of contract by the customer, especially in the case of default of payment, we are entitled to take the delivered object back after a reasonable extended deadline has passed fruitlessly. Taking back the delivered object does not signify a withdrawal from the agreement, unless expressly declared by us in writing. The seizure of the delivered goods by us invariably represents a withdrawal from the agreement. After repossessing taking back the delivered goods, we are authorised to sell them; the proceeds from the sale will be deducted from the customer's liabilities - minus reasonable realisation costs.
- 10.2** The customer is obliged to keep the delivered objects in safe custody for us and to treat them with care.
- 10.3** In the event of seizures or any other third-party encroachments on our delivered objects, the customer must notify us immediately in writing so that we can take legal action according to § 771 Civil Procedure Rules (ZPO). If the third party is not in a position to refund us the legal and out-of-court costs of a lawsuit according to § 771 ZPO, the customer person ordering is liable for the loss incurred by us.
- 10.4** The customer is entitled to re-sell the delivered object in the normal course of business; however, he now already assigns us all demands amounting to the final invoice amount (including value-added tax) of our demand arising against his customers or third parties from the resale, regardless of whether the delivered object is re-sold with or without processing. The customer is also authorised to collect this demand after the assignment. Our authorisation to collect the demand ourselves remains unaffected by this. However, we agree not to collect the demand as long as the customer fulfils his payment obligations from the collected revenue, does not fall behind in his payments, and in particular no application for commencement of insolvency proceedings has been filed or there is a suspension of payments. However, if this is the case, we can request that the customer informs us of the assigned demands and their debtor immediately, gives us all details necessary for their collection, hands over the relevant documentation and notifies the debtor (third party) of the assignment immediately and informs us thereof by means of a copy/accompanying letter.
- 10.5** The processing or transformation of the delivered objects by the customer will always be carried out on our behalf by us. If the delivered object is processed with other objects that do not belong to us, we acquire co-ownership of the new object in the ratio of the value of the delivered object (final invoice amount including value-added tax) to the other processed objects at the time of processing. The same provisions apply otherwise for the object created by the aforesaid processing as for the object delivered with reservations.
- 10.6** If the delivered object is inseparably mixed with other objects that do not belong to us, we acquire co-ownership of the new object in the ratio of the value of the delivered object (final invoice amount including value-added tax) to the other mixed objects at the time of mixing. If the mixing takes place in a way in which the customer's object is to be regarded as the main object, it is considered agreed that the customer will transfer proportionate co-ownership to us. The customer will safeguard the created sole ownership or co-ownership for us.
- 10.7** At the customer's request, we undertake to release the securities to which we are entitled insofar as the feasible value of our securities exceeds the demands to be safeguarded by more than 10 %; we are entitled to select the securities to be released.

§ 11 Terms of payment

- 11.1** Unless otherwise agreed, our invoice amounts are payable within 30 days without any deduction. On expiration of this deadline, the customer is in default of payment without a warning on our part being required.
- 11.2** The customer may not exercise any right of set-off unless his/its counterclaim shall be undisputed or conclusively ruled upon. The same applies to the assertion of a right of retention.

§ 12 Written form and final provisions

- 12.1** Any regulations deviating from these business conditions require the written form. This does not apply to regulations, which have been agreed from our side with Managing Directors or authorised signatories.
- 12.2** The legal venue for any disputes from the business relationship between us and the customer is Gießen. However, we are also entitled to take legal action against the customer at his standard legal venue as well as at the location to which the delivered object was sent at the customer's request.
- 12.3** All legal relationships in connection with entering in, performing under or termination of this agreement shall be governed and construed in all respects in accordance with the laws of the Federal Republic of Germany with the exclusion of the Convention on Contracts for the International Sale of Goods (CISG). This also applies, if the legal relationships arise from tort or based on any other legal bases.



Alexander Binzel Schweisstechnik GmbH & Co. KG
P.O. box 10 01 53 · 35331 Gießen · GERMANY
☎ +49 (0) 64 08 / 59-0
☎ +49 (0) 64 08 / 59-191
✉ info@binzel-abicor.com

www.binzel-abicor.com